

HPWR104PLUSHR

High efficiency PC/104 power supply module

User's Manual



BDM-610020028
Rev. C

HPWR104PLUSHR

Power supply module

User's Manual



RTD Embedded Technologies, Inc.

103 Innovation Blvd.
State College, PA 16803-0906

Phone: +1-814-234-8087

FAX: +1-814-234-5218

E-mail

sales@rtd.com

techsupport@rtd.com

web site

<http://www.rtd.com>

Revision History

24/01/2003	Release 1.0
05/05/2003	Small corrections, preliminary removed -5V added
Rev A	Complete board redesign
Rev B	Removed "isolated"
Rev C	Removed statement about no electrolytic capacitors

Published by:

RTD Embedded Technologies, Inc.
103 Innovation Blvd.
State College, PA 16803-0906

Copyright 1999, 2002, 2003 2004 by RTD Embedded Technologies, Inc.

All rights reserved

Printed in U.S.A.

The RTD Logo is a registered trademark of RTD Embedded Technologies. cpuModule and utilityModule are trademarks of RTD Embedded Technologies. PC/XT, PC/AT and IBM are trademarks of International Business Machines Inc. MS-DOS, Windows,

Windows 95, Windows 98 and Windows NT are trademarks of Microsoft Corp. PC/104 is a registered trademark of PC/104 Consortium. All other trademarks appearing in this document are the property of their respective owners.

Table of Contents

CHAPTER 1 INTRODUCTION..... 8
Features..... 8
Power Supply Unit Description..... 8
Mechanical description..... 9
Connector description..... 9
What comes with your board? 9
Using this manual..... 9
When you need help..... 9

CHAPTER 2 BOARD INSTALLATION 11
Board installation..... 11
 General installation guidelines: 11
 Installation integrated with a PC/104+ module stack: 12
External power connections 13
Connector descriptions:..... 13

CHAPTER 3 - HARDWARE DESCRIPTION 15
Main +5V and +3.3V converter for the computer..... 17
 Current Limit..... 17
 Remote On/Off control..... 17
Secondary +12V and -12V and -5V converters..... 18
 Onboard status LED's 18
 Overload protection 18
Output power calculations 19

CHAPTER 4 HPWR104PLUSHR SPECIFICATIONS..... 20
Host interface 20
Power supply specifications..... 20
 Input voltage range..... 20
 Output Power (83W total)..... 20
 Input Surge Current..... 20
 Efficiencies..... 20
 Maximum Board Power dissipation(worst conditions) 20
 Output voltage regulation..... 20
 Connectors 20
 Electromechanical 20

CHAPTER 5 RETURN POLICY AND WARRANTY..... 22
Return Policy 22

CHAPTER 6 LIMITED WARRANTY 24

Figure 1: HPWR104PLUSHR powering an RTD PC/104+ cpuModule stack 12
Figure 2: HPWR104PLUSHR power supply power connections 13
Figure 3: Block diagram of the HPWR104PLUSHR, -5V linear regulator omitted..... 16

Chapter 1 INTRODUCTION

This user's manual describes the operation of the HPWR104PLUSHR power supply unit for automotive and industrial applications.

Features

Some of the key features of the HPWR104PLUSHR include:

- Wide input voltage range 8-32 V DC (36V absolute max)
- No heat sink required with natural convection cooling,
- 83W total output power guaranteed **with adequate cooling**,
- Up to 90 %efficiency
- Dual phase construction to all but eliminate input ripple current and improve step response
- Synchronized supplies eliminate noisy beat frequencies and reduce switching stresses
- Outputs continuous short circuit protected
- Remote ON/OFF operation
- HPWR104PLUSHR outputs +3.3V, +5V, +12V, -12V, -5V
- Four status LED's
- Fully PC/104+ compliant
- **Operating temperature range -40 to +85 C**

The following paragraphs briefly describe the major features of the HPWR104PLUSHR. A more detailed discussion is included in Chapter 3 (Hardware description). The board installation is described in Chapter 2 (Board Installation).

Power Supply Unit Description

The HPWR104PLUSHR power supply unit offers a complete reliable power subsystem for your sophisticated computer and peripherals. To improve reliability in noisy environments, the HPWR104PLUSHR is designed using protection devices against over voltages, noise spikes and reverse input voltage. The output current of the +5V and the +3.3V converter is limited to 10A. These features allow reliable system operation in distributed industrial installations.

The +5V and the +3.3V computer power supplies are designed using high efficiency switching regulators providing high output current (10A) with efficiency as high as (90 %) under all conditions. The secondary peripheral power supplies are designed using +12V and -12V converters that are supplied by the +5V DC/DC converter. Low component count and extensive use of SMD technology ensures low weight and reliable operation. Special care has been taken to reduce radiated and conducted emissions. Optimized multi-phase circuit layout ensures good EMI immunity over the operating temperature range under all loads.

The HPWR104PLUSHR can be "switched off" from a remote source. If this switch (jumper) is closed the power supply will become inactive while still powered.

Mechanical description

The HPWR104PLUSHR is designed on a PC/104+ form factor. An easy mechanical interface to both PC/104+ and EBX systems can be achieved. Stack your HPWR104PLUSHR directly on a PC/104+ compliant computer using the onboard mounting holes. Care must be taken to ensure adequate heat dissipation from the board in high output power installations.

Connector description

The power connections are made using "cable plug" type terminal blocks. This enables removing connections from the board without opening the cables from the terminal blocks. The IDAN-HPWR104PLUSHR boards always feature screw terminal blocks for inter-frame wiring.

What comes with your board?

Your HPWR104PLUSHR package contains the following items:

- HPWR104PLUSHR board with mating connectors for power connections
- User's manual

If any item is missing or damaged, please call RTD Embedded Technologies, Inc. customer service department at the following number: (814) 234-8087.

Using this manual

This manual is intended to help you install your new HPWR104PLUSHR module and get it working quickly, while also providing enough detail about the board and its functions so that you can enjoy maximum use of its features even in the most demanding applications.

When you need help

This manual will provide you with enough information to fully utilize all the features on this board. If you have any problems installing or using this board, contact our Technical Support Department (814) 234-8087. Alternatively, send a FAX to (814) 234-5218 or Email to techsupport@rtd.com. When sending a FAX or Email request please include the following information: Your company's name and address, your name, your telephone number, and a brief description of your questions.

Chapter 2 BOARD INSTALLATION

The HPWR104PLUSHR power supply module is very easy to connect to your industrial or automotive control system. Direct interface to PC/104+ systems as well as EBX size boards is achieved. This chapter tells you step-by-step how to install your HPWR104PLUSHR into your system.

Board installation

Keep your board in its antistatic bag until you are ready to install it to your system! When removing it from the bag, hold the board at the edges and do not touch the components or connectors. Please handle the board in an antistatic environment and use a **grounded** workbench for testing and handling of your hardware. Before installing the board in your computer, check the power cabling. Failure to do so may cause the power supply unit to malfunction or even cause permanent damage.

General installation guidelines:

- Touch the grounded metal housing of your computer to discharge any antistatic buildup and then remove the board from its antistatic bag.
- Hold the board by the edges and install it in an enclosure or place it on the table on an antistatic surface.
- Install your board in your system, and wire the power supply correctly.
- Failure to do so may cause the power supply unit to malfunction or even cause permanent damage to the device.
- Check all wiring connections once and then once more again.
- Check the input power to the board is in the range of 10 to 40V DC
- Apply power to your HPWR104PLUSHR, and make sure the diagnostic LED's indicate correct operation.

Installation integrated with a PC/104+ module stack:

- Secure the four PC/104+ installation holes with standoffs.
Connect the board to the power supply using the power interface connectors.

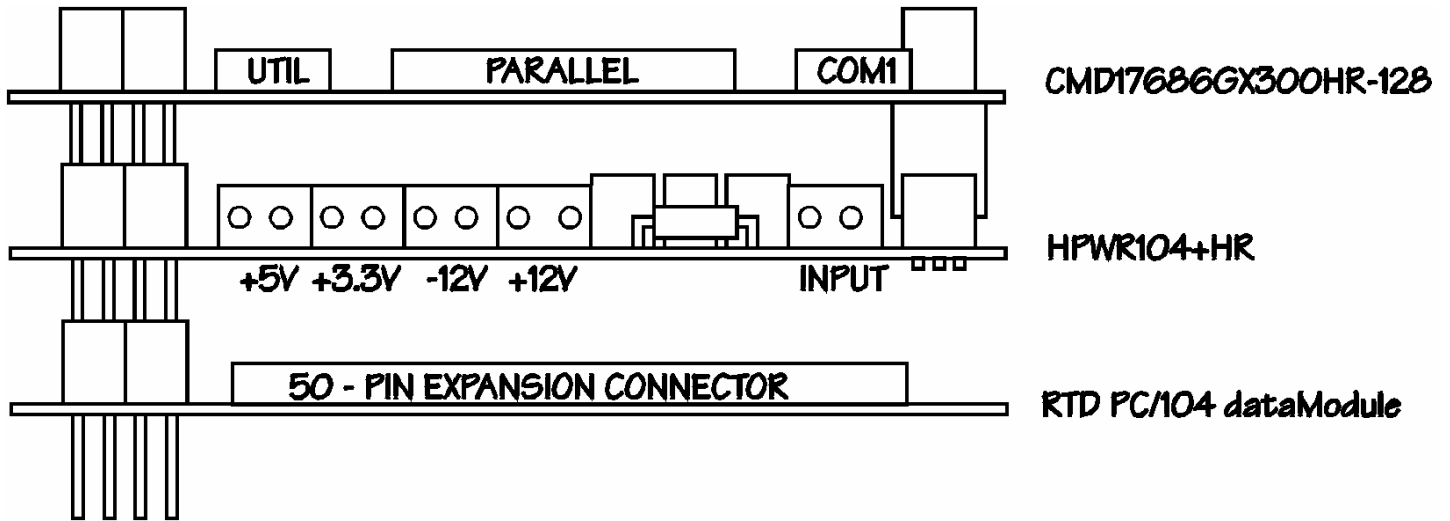


Figure 1: HPWR104PLUSHR powering an RTD PC/104+ cpuModule stack

Note: For full output power performance, install your HPWR104PLUSHR at the top of your PC/104+ system and make sure adequate cooling is provided. You may increase airflow with the EFAN104 fan module available from RTD Embedded Technologies, Inc..

External power connections

The illustration 2-2 below indicates the input and output power connections of the HPWR104PLUSHR

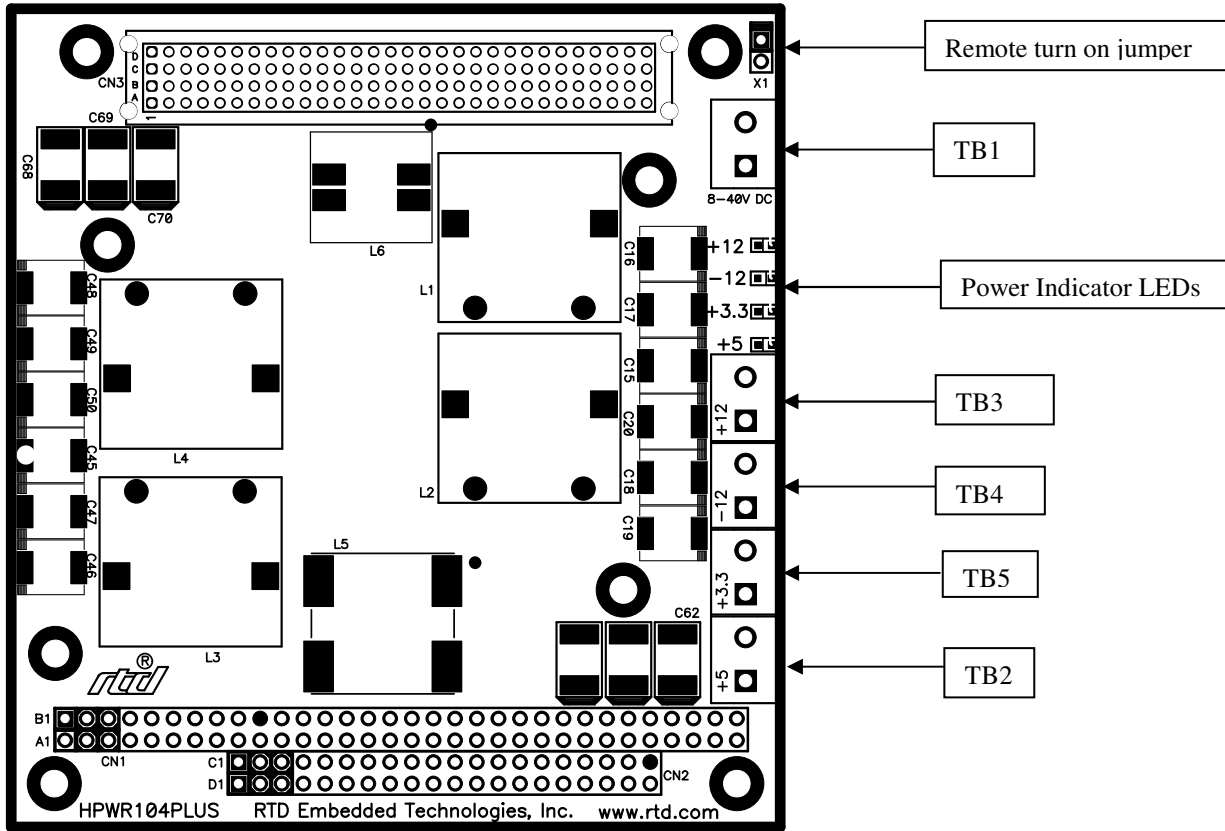


Figure 2: HPWR104PLUSHR power supply power connections

Connector descriptions:

- **TB1:** Raw input power to the HPWR104PLUSHR, voltage range is 8-32 V (36V absolute max) DC. Overvoltage protected with transient absorber with cutoff at 39V DC.

Note: The module input power may be up to 100 W, this will require AWG 16 wire (1.14mm²)(Make sure this input wire is kept as short as possible to reduce voltage drops (0.005Ω/foot) and inductive spikes (513 nH/foot).

- **TB2 :** +5V Output of the main DC/DC power supply
 - **TB5 :** +3.3V Output of the main DC/DC power supply
 - **TB4:** -12V Output
 - **TB3 :** +12V Output
 - **X1 :** Remote ON/OFF , close this jumper to disable the HPWR104PLUSHR
- The output voltages are also indicated on the silk-screen on the solder side of the module under the terminal blocks. Check these before making any external power connections. The input of the HPWR104PLUSHR is protected against reverse

voltages, but will not withstand long term overvoltage. The transient absorbers will clip all fast disturbance and noise on the input, but may overheat if continuous overvoltage is present.

Chapter 3 - **HARDWARE DESCRIPTION**

This chapter describes the major features of the HPWR104PLUSHR, which are the following:

- The main +5V and +3.3V converter for the PC/104 and PC/104+ busses
- The secondary power output converters +12V , -12V and -5V
- Onboard status LED's
- Overload protection
- Output power calculations

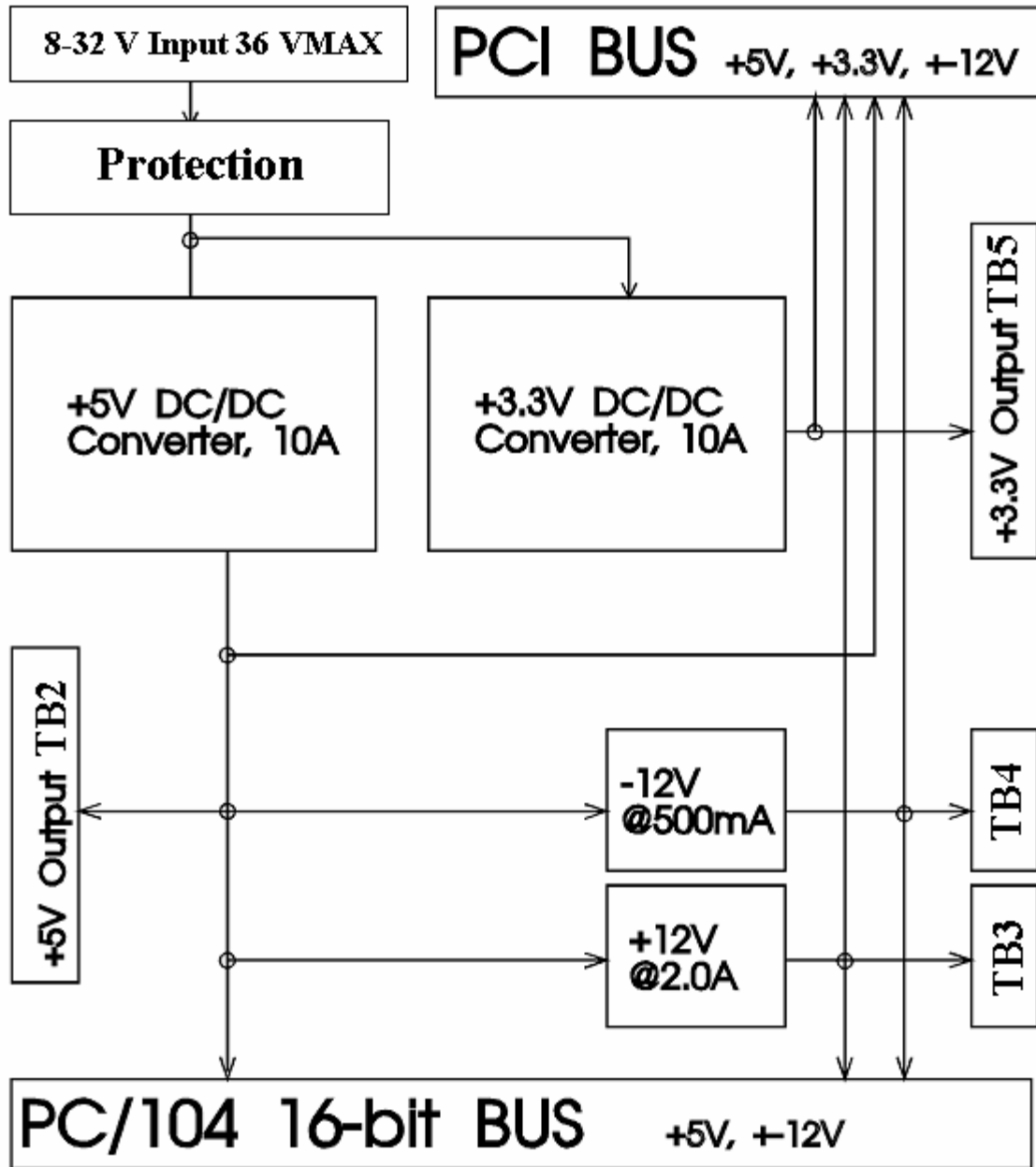


Figure 3: Block diagram of the HPWR104PLUSHR, -5V linear regulator omitted.

Main +5V and +3.3V converter for the computer

The main +5V and the PCI bus +3.3V output use a synchronous, switch-mode DC-DC converter design. The output current of both of these independent converters is limited to 10A. These converters have excellent dynamic and transient response capabilities making it an ideal high-speed computer power supply. Use of low loss MOSFET-transistors allows operation without an additional heat-sink. Internal layers of the PCB are used to distribute heat evenly.

Input circuitry of the HPWR104PLUSHR is protected with a 36V fast transient absorber diode and a low loss forward schottky diode. These devices are necessary to protect the input in automotive and industrial installations against fast over-voltage spikes and reverse voltage transients. These situations exist in vehicle systems with alternators/chargers or in systems with electrically controlled hydraulic or pneumatic inductive valves and solenoids.

The +5V converter, located closer to the power connectors, feeds the PC/104 AT bus and the PCI bus +5V pins with power. This power can also be supplied from the board from an external terminal block TB2. (See previous section for the location of terminal block TB2.) The +3.3V converter located near the PCI bus connector only feeds the +3.3V power pins of the PCI bus. A terminal block at the side of the board next to the +5V output can be used to power other external +3.3V devices.

Input range is guaranteed from 8 up to 40V under full load and in worst conditions over the full rated temperature range. Note that start up current may exceed steady-state current consumption.

Current Limit

To protect against fault or short-circuit conditions all voltages are equipped with current fold-back, current limiting circuitry to provide continuous overload protection. After reaching the current limit point the voltage output will range between the rated output and zero depending on the amount of overload. Once the short circuit condition is removed, the output will return to the nominal value without restarting the unit.

Remote On/Off control

Header connector X1 near the input terminal block is the remote ON/OFF selection switch. Closing this connection will disable the HPWR104PLUSHR and turn the converter "OFF". In this condition the HPWR104PLUSHR will consume minimum power. This signal could be connected to the ignition key of an automobile or machine.

Secondary +12V and -12V and -5V converters

+5V to +12V converters generates +12V for peripheral devices such as EL- or TFT- panels, hard drives, motors etc. The +12V output is capable of supplying up to 2.0A of current. +12V power is available from terminal block TB3. The -12V power is available from terminal block TB1. (See previous section for location of TB3) . The +12V and -12V supplies also power the PC/104 and the PCI bus. A 100mA output -5V supply output is regulated from the -12V supply. This -5V output is only connected to the ISA-bus -5V power pin and is not externally available.

Onboard status LED's

The HPWR104PLUSHR is equipped with 3 indicator LED's. The function of the LED's is described below.

- LED1 - Green. Indicates +5V power converter is operational
- LED2 - Green. Indicates +3.3V power converter is operational
- LED3 - Green. Indicates +12V converter is operational
- LED4 - Green. Indicates -12V converter is operational

Overload protection

Both +5V and the +3.3V converter is current limited to 10A. The current limit is slightly higher than the maximum continuous output current to ensure reliable operation near the maximum rated output power.

The +12V converter is rated to 2A and the -12V converter is rated for 500mA. The +12V converter output is limited to 2.0A. The -12V converter output is limited to 500mA. The outputs of the +12V and -12V converters will allow short-term error conditions, and are not designed to accept long-term over-voltage or reverse polarity.

Use of Ultra-low ESR tantalum capacitors and stable temperature characteristics ensure low noise and good transient performance over the complete rated operating temperature range of -40 to +85C. PCB layout is optimized to provide lowest radiated and conducted noise.

Output power calculations

The maximum available power for the +5V computer system can be estimated using the following method:

5V efficiency 90%

3.3V efficiency 88%

12V efficiency 90%

-12V efficiency 77%

-5V efficiency 30%

All loads are in Watts

L1 = 5V primary load (load on just 5V supply)

L2 = 3.3V load

L3 = 12V load

L4 = -12V primary load (load on just -12V supply)

L5 = -5V load

L6 = -12V total load = L4 + (L5/0.3)

L7 = 5V total load = L1 + (L3/0.9) + (L6/0.77)

L_{TOTAL} = L2 + L7

L_{TOTAL} < 83 Watts

Note: Even though the total output power figure of 83 Watts is not exceeded one must remember not to overload an individual output! Care must be taken not to thermally overload the unit. The maximum specified output power may not be available if the ambient temperature rises, and in this case additional heat sinking or additional airflow may be necessary. Even though the unit can stay cooled with natural convection, enclosing the unit in a container may require heat sinking depending on the load and temperature in the container.

Chapter 4 HPWR104PLUSHR SPECIFICATIONS

Host interface

PC/104+ busses with +5V, +3.3V, +12V, -12V, and -5V

Power supply specifications

Input voltage range

8-32V DC (36V absolute maximum)

Output Power (83W total)

+5V@10A
 +3.3V@10A
 +12V@2.0A
 -12V@500mA
 -5V@100mA

Input Surge Current

27 Amps for 15 uSec

Efficiencies

5V efficiency 90%
 3.3V efficiency 88%
 12V efficiency 90%
 -12V efficiency 77%
 -5V efficiency 30%
 Overall 83%

Maximum Board Power dissipation(worst conditions)

17 Watts

Output voltage regulation

+5% (max)

Connectors

Power connectors

Phoenix Contact
 Combicon Series
 PC/104+ bus

Host bus

PC/104 stack-through, PCI solder-tail (Optionally no bus connectors)

Electromechanical

Operating temperature range	-40 to +85C (may require airflow and or heat sinking in containers)
Maximum Internal power dissipated by LEDs and internal circuitry	1.85 Watts

Chapter 5 RETURN POLICY AND WARRANTY

Return Policy

If you wish to return a product to the factory for service, please follow this procedure:

Read the Limited Warranty to familiarize yourself with our warranty policy.

Contact the factory for a Return Merchandise Authorization (RMA) number.

Please have the following available:

- Complete board name
- Board serial number
- A detailed description of the board's behavior

List the name of a contact person, familiar with technical details of the problem or situation, **along with their phone and fax numbers, address, and e-mail address** (if available).

List your shipping address!!

Indicate the shipping method you would like used to return the product to you.

We will not ship by next-day service without your pre-approval.

Carefully package the product, using proper anti-static packaging.

Write the RMA number in large (1") letters on the outside of the package.

Return the package to:

RTD Embedded Technologies, Inc.

103 Innovation Blvd.

State College PA 16803-0906

USA

Chapter 6 LIMITED WARRANTY

RTD Embedded Technologies, Inc. warrants the hardware and software products it manufactures and produces to be free from defects in materials and workmanship for one year following the date of shipment from RTD Embedded Technologies, INC. This warranty is limited to the original purchaser of product and is not transferable.

During the one year warranty period, RTD Embedded Technologies will repair or replace, at its option, any defective products or parts at no additional charge, provided that the product is returned, shipping prepaid, to RTD Embedded Technologies. All replaced parts and products become the property of RTD Embedded Technologies. Before returning any product for repair, customers are required to contact the factory for an RMA number.

THIS LIMITED WARRANTY DOES NOT EXTEND TO ANY PRODUCTS WHICH HAVE BEEN DAMAGED AS A RESULT OF ACCIDENT, MISUSE, ABUSE (such as: use of incorrect input voltages, improper or insufficient ventilation, failure to follow the operating instructions that are provided by RTD Embedded Technologies, "acts of God" or other contingencies beyond the control of RTD Embedded Technologies), OR AS A RESULT OF SERVICE OR MODIFICATION BY ANYONE OTHER THAN RTD Embedded Technologies. EXCEPT AS EXPRESSLY SET FORTH ABOVE, NO OTHER WARRANTIES ARE EXPRESSED OR IMPLIED, INCLUDING, BUT NOT LIMITED TO, ANY IMPLIED WARRANTIES OF MERCHANTABILITY AND FITNESS FOR A PARTICULAR PURPOSE, AND RTD Embedded Technologies EXPRESSLY DISCLAIMS ALL WARRANTIES NOT STATED HEREIN. ALL IMPLIED WARRANTIES, INCLUDING IMPLIED WARRANTIES FOR MERCHANTABILITY AND FITNESS FOR A PARTICULAR PURPOSE, ARE LIMITED TO THE DURATION OF THIS WARRANTY. IN THE EVENT THE PRODUCT IS NOT FREE FROM DEFECTS AS WARRANTED ABOVE, THE PURCHASER'S SOLE REMEDY SHALL BE REPAIR OR REPLACEMENT AS PROVIDED ABOVE. UNDER NO CIRCUMSTANCES WILL RTD Embedded Technologies BE LIABLE TO THE PURCHASER OR ANY USER FOR ANY DAMAGES, INCLUDING ANY INCIDENTAL OR CONSEQUENTIAL DAMAGES, EXPENSES, LOST PROFITS, LOST SAVINGS, OR OTHER DAMAGES ARISING OUT OF THE USE OR INABILITY TO USE THE PRODUCT.

SOME STATES DO NOT ALLOW THE EXCLUSION OR LIMITATION OF INCIDENTAL OR CONSEQUENTIAL DAMAGES FOR CONSUMER PRODUCTS, AND SOME STATES DO NOT ALLOW LIMITATIONS ON HOW LONG AN IMPLIED WARRANTY LASTS, SO THE ABOVE LIMITATIONS OR EXCLUSIONS MAY NOT APPLY TO YOU.

THIS WARRANTY GIVES YOU SPECIFIC LEGAL RIGHTS, AND YOU MAY ALSO HAVE OTHER RIGHTS WHICH VARY FROM STATE TO STATE.

RTD Embedded Technologies, Inc.

103 Innovation Blvd.

State College PA 16803-0906

USA

Our website: www.rtd.com