

# **CMM7686GX300-3V cpuModule™ User's Manual**

**RTD Enhanced Award BIOS Versions 4.51.xx**



**RTD Embedded Technologies, Inc.**

*"Accessing the Analog World"®*

ISO9001 and AS9100 Certified

BDM-61000003  
Rev. A



**CMM7686GX300-3V**  
**cpuModule™**  
**User's Manual**



**RTD Embedded Technologies, INC.**  
103 Innovation Blvd.  
State College, PA 16803-0906

Phone: +1-814-234-8087  
FAX: +1-814-234-5218

E-mail  
sales@rtd.com  
techsupport@rtd.com

web site  
<http://www.rtd.com>

Revision History

Rev. A) New manual naming method

Published by:

RTD Embedded Technologies, Inc.  
103 Innovation Blvd.  
State College, PA 16803-0906

Copyright 1999, 2002, 2003 by RTD Embedded Technologies, Inc.  
All rights reserved  
Printed in U.S.A.

The RTD Logo is a registered trademark of RTD Embedded Technologies. cpuModule and utilityModule are trademarks of RTD Embedded Technologies. PhoenixPICO and PheonixPICO BIOS are trademarks of Phoenix Technologies Ltd. PS/2, PC/XT, PC/AT and IBM are trademarks of International Business Machines Inc. MS-DOS, Windows, Windows 95, Windows 98 and Windows NT are trademarks of Microsoft Corp. PC/104 is a registered trademark of PC/104 Consortium. All other trademarks appearing in this document are the property of their respective owners.

<b>Chapter 1: Introduction</b> .....	<b>7</b>
The CMM7686GX300-3V cpuModule .....	8
Specifications .....	9
<b>Chapter 2: Getting Started</b> .....	<b>13</b>
Basic Connector Locations .....	14
Fail safe boot rom .....	16
Cable Kits .....	17
Connecting Power .....	18
Connecting the utility cable .....	19
Connecting a Keyboard .....	20
Connecting to the PC/104 Bus .....	21
Connecting to the PC/104-Plus PCI Bus .....	22
Default Configuration .....	26
Bootting to Boot Block Flash with Fail Safe Boot ROM .....	28
If You Misconfigure the cpuModule .....	30
For More Information .....	31
<b>Chapter 3: Connecting the cpuModule</b> .....	<b>33</b>
I/O Connections .....	34
Connector Locations .....	35
Auxiliary Power, CN3 .....	37
Serial Port 1, CN7 .....	40
Serial Port 2, CN8 .....	43
Parallel Port, CN6 .....	46
Multifunction Connector, CN5 .....	49
VGA Video Connector, CN12 .....	51
Bus Mouse Connector, CN4 .....	53
PC/104 Bus, CN1 and CN2 .....	54
PC/104-Plus PCI Bus, CN16 .....	59
<b>Chapter 4: Configuring the cpuModule(BIOS Setup)</b> .....	<b>63</b>
Entering the BIOS Setup .....	64
Default Configuration .....	65
Disabling Fail Safe Boot Rom .....	67
Installing SSD Memory .....	68
Quick Boot Description .....	69
Configuring with the RTD Enhanced Award BIOS .....	70
<b>Chapter 5: Using the cpuModule</b> .....	<b>85</b>
Memory Map .....	86
Input/Output Address Map .....	87
Hardware Interrupts .....	89
The RTD Enhanced Award BIOS .....	90
Power On Self Tests (POSTs) .....	91
RTD Enhanced Award BIOS POST Codes .....	93
Default Configuration .....	97

Direct Hardware Control .....	100
Watchdog Timer Control .....	101
Real Time Clock Control .....	102
Parallel Port Control .....	103
Processor Clock Control .....	104
Storing Applications On-board .....	105
Ways to Use the Solid State Disk Socket .....	106
Using BIOS Extension Devices .....	108
Using Conventional Solid State Devices .....	109
<b>Chapter 6: Hardware Reference .....</b>	<b>113</b>
Jumpers .....	114
Jumpers and Default Jumper Settings .....	116
Solder Jumpers .....	117
Mechanical Dimensions .....	118
686GX Processor Thermal Management .....	119
<b>Chapter 7: Troubleshooting .....</b>	<b>121</b>
Common Problems and Solutions .....	122
Troubleshooting a PC/104 System .....	125
How to Obtain Technical Support .....	126
How to Return a Product .....	127
<b>Chapter 8: Limited Warranty .....</b>	<b>129</b>

# CHAPTER 1: INTRODUCTION

This manual is meant for users developing with the CMM7686GX300-3V cpuModule. It contains information on hardware and software of the cpuModule. ***READ THE SPECIFICATIONS FIRST.***

The manual is organized as follows:

- Chapter 1: Introduction**  
Introduces main features and specifications.
- Chapter 2: Getting Started**  
Provides abbreviated instructions to get started.
- Chapter 3: Connecting the cpuModule**  
Provides information on connecting the cpuModule to peripherals.
- Chapter 4: Configuring the cpuModule**  
Provides information on configuring hardware and software.
- Chapter 5: Using the cpuModule**  
Provides information needed to develop applications for the cpuModule. The chapter includes general information on the cpuModule, plus detailed information on storing applications and system functions, and using utility programs.
- Chapter 6: Hardware Reference**  
Lists jumpers and their locations and mechanical dimensions.
- Chapter 7: Troubleshooting**  
Offers advice on debugging problems with your system.
- Chapter 8: Warranty**

## **The CMM7686GX300-3V cpuModule**

The PC/104 cpuModules described in this manual are designed for industrial applications which require:

- software and hardware compatibility with the PC/AT world
- high-speed "number-crunching" operation
- low power consumption
- small physical dimensions
- high reliability
- good noise immunity

This cpuModule is highly integrated, combining all major functions of a PC/AT computer on one compact board. It integrates all primary I/O functions of a AT compatible computer:

- SVGA controller
- a keyboard interface
- an ECP/EPP parallel port
- two versatile RS232/422/485 serial ports
- a Real Time Clock
- a speaker port
- a PS/2 mouse port

It also enhances standard AT-compatible computer systems by adding:

- one Solid State Disk socket
- a non-volatile configuration without a battery
- a Watchdog Timer
- Fail Safe Boot ROM

The next figure shows a simplified block diagram of the cpuModule:

You can easily customize the cpuModule by stacking PC/104 modules such as modems, LAN controllers, or analog and digital data acquisition modules. Stacking PC/104 modules on the cpuModule avoids expensive installations of backplanes and card cages and preserves the module's compactness.

RTD Enhanced Award BIOS is also implemented in the cpuModule. This BIOS supports ROM-DOS™, MS-DOS and Windows operating systems. Drivers in the BIOS allow booting from floppy disk, hard disk, Solid State Disk,, boot block flash, or DiskOnChip®, thus enabling the system to be used with traditional disk drives or non-mechanical drives.

The cpuModule and BIOS are also compatible with most real-time operating systems for PC compatible computers, although these may require creation of custom drivers to use the SSD and watchdog timer.

# Specifications

## CMM7686GX300-3V

- National Semiconductor Geode GX1 MMX enhanced microprocessor
- 300 MHz clock speed
- 2.0 V processor supply (provided on-board)
- 16 KB L1 cache
- Math coprocessor

## Video Controller

SVGA monitor output supports:

- 640 x 480 with 256 colors and 60, 72, 75, 85 Hz refresh
- 640 x 480 with 65536 colors and 60, 72, 75, 85 Hz refresh
- 800 x 600 with 256 colors and 60, 72, 75, 85 Hz refresh
- 800 x 600 with 65536 colors and 60, 72, 75, 85 Hz refresh
- 1024 x 768 with 256 colors and 60, 70, 75, 85 Hz refresh
- 1024 x 768 with 65536 colors and 60, 70, 75, 85 Hz refresh
- 1280 x 1024 with 256 colors and 60, 75, 85 Hz refresh
- 1280 x 1024 with 65536 colors and 60, 75, 85 Hz refresh

## DMA, Interrupts, Timers

- Six (6) DMA channels (8237 compatible)
- Fifteen (15) interrupt channels (8259 compatible)
- Three (3) counter/timers (8254 compatible)

## Memory Configurations

- 32MB
- 128MB

## Fail-safe Boot ROM

- Surface mount Flash chip that holds ROM-DOS™
- Replaces the previous DiskOnChip®

## Solid State Disk Socket

- SSD sockets can hold one of the following Conventional SSD devices.

Device	Full Read/Write Access	128Kbytes	256Kbytes	512Kbytes	1Mbyte
Atmel 5V Flash	yes	yes	yes	yes	no
SRAM	yes	yes	no	yes	no
NOVRAM	yes	yes	no	yes	no
EPROM	Read Only	yes	yes	yes	yes
AMD 5V Flash	Read Only	yes	no	yes	no

Device	Full Read/Write Access	Maximum Number per cpuModule	Sizes
DiskOnChip® 2000	yes	1	16MB - 1GB *
DiskOnChip® 1000	yes	1	1MB, 2MB
MCSI PromDisk	yes	1	4MB, 8MB *

(\* ) Larger devices may be available in the future.

## Peripherals

- Two serial ports software configurable for RS232/422/485; baud rates from 50 to 115200 baud in 16450 and 16550A compatible mode and 1.5 Mbaud in Extended UART mode
- Parallel port with SPP, ECP, EPP capability and selectable interrupts and DMA channel
- PC/AT standard keyboard port
- A PS/2 mouse port
- PC speaker port
- Real Time Clock (requires user-supplied external battery for date and time backup)
- Watchdog Timer with time-out of 1.2 seconds

## BIOS

- RTD Enhanced Award BIOS
- Directly supports Solid State Disk (SSD) and M-Systems' DiskOnChip®
- User-configurable using built-in Setup program
- Nonvolatile configuration without a battery
- Can boot from floppy disk, hard disk, Solid State Disk, or fail-safe boot rom

## Connections

- AT bus, per PC/104 specifications (64-pin CN1, 40-pin CN2)
- Auxiliary Power Connector (12-pin CN3)
- PS/2 Mouse Connector (4-pin CN4)
- Multifunction connector (10-pin CN5)
- Parallel port connector (26-pin CN6)
- Serial port 1 connector (10-pin CN7)
- Serial port 2 connector (10-pin CN8)
- SVGA Monitor connector (10-pin CN12)
- PCI bus, per PC/104-Plus specifications (120-pin CN16)

## Physical Characteristics

- Dimensions: x 3.775 x 0.6 inches (108.0 x 95.9 x 16mm)
- Weight (mass): 3.5 ounces (100 grams)
- PCB: 12-layer, mixed surface-mount and thru-hole

## Operating environment

- Power supply: 5V +/- 5%, 10 Watts
- 686 processor operating temperature: 0 to +70 degrees C case (with proper cooling) See *686GX Processor Thermal Management*
- Operating relative humidity: 0 to 95%, non-condensing
- Storage temperature :0 to +70 degrees C.

## Power Consumption

Exact power consumption depends on the peripherals connected to the board, the selected SSD configuration and the memory configuration.

The table below lists power consumption for typical configurations and clock speeds:

CMM7686GX300- 3V 300 MHz	6.3 W	32 or 128 MB	None	Internal
--------------------------------	-------	-----------------	------	----------



## CHAPTER 2: GETTING STARTED

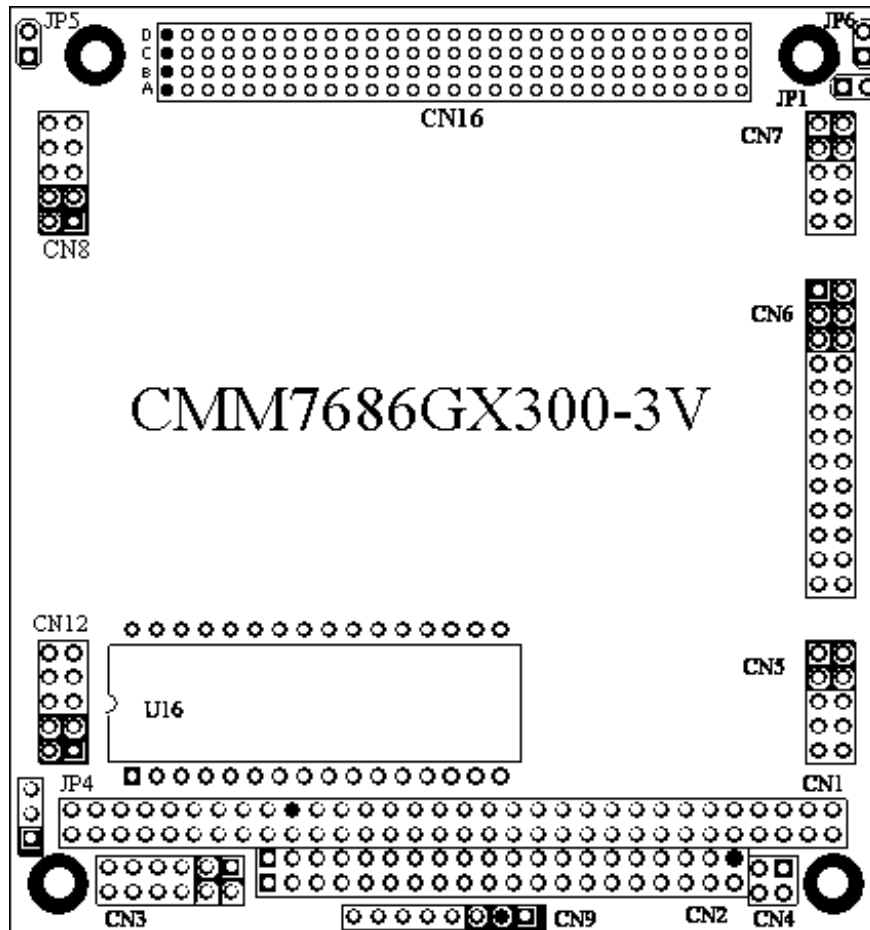
For many users, the factory configuration of the cpuModule can be used to get a PC/104 system operational. If you are one of these users, you can get your system up and running quickly by following a few simple steps described in this chapter. Briefly, these steps are:

- Connect power.
- Connect the utility cable.
- Connect a keyboard.
- Default Bios Configuration
- Fail Safe Boot ROM
- Connect a VGA monitor to the SVGA connector.

Refer to the remainder of this chapter for details on each of these steps.

## Basic Connector Locations

The following figure(s) and table show the connectors used in this chapter



## CMM7686GX300-3V Basic Connector Locations

CN1	PC/104 Bus (XT)	64 pin
CN2	PC/104 bus (AT)	40 pin
CN3	Auxiliary power	12 pin
CN4	PS/2 Mouse	4 pin
CN5	Multifunction	10 pin
CN6	Parallel Port	26 pin
CN7	Serial Port1	10 pin
CN8	Serial Port2	10 pin
CN12	Video	10 pin
CN16	PCI Bus	120 pin

For a complete listing of connectors, please refer to *I/O Connections*.

<b>NOTE!</b>	Pin 1 of each connector is indicated by a square solder pad on the bottom of the PC board and a white square silkscreened on the top of the board.
--------------	--

## ***Fail safe boot rom***

Fail Safe Boot ROM is supplied with the board. This feature is programmed into a surface mount flash chip. The programmed boot rom is ROM-DOS™. Fail Safe Boot ROM allows the system to boot without any attached storage devices. i.e. floppy, IDE, SSD. Installing jumper JP5 will force the cpuModule to use fail safe boot rom. This configuration allows you to boot to non-volatile onboard ROM-DOS™.

## **Cable Kits**

For maximum flexibility, cables are not provided with the cpuModule. You may wish to purchase our cable kit for the cpuModule.

The XK-CM24 cable kit contains the following:

- Multifunction utility cable (keyboard socket, battery, reset, speaker)
- SVGA monitor (DIL 10 to high density 15 pin D SUB)
- Two serial port cables (DIL10 to DSUB9)
- Parallel port cable (DIL26 to DSUB25)
- Power cable (DIL12 to wire leads)
- PS/2 Mouse adapter (4 Pin DIL to PS/2 Female)

## Connecting Power

<b>WARNING!</b>	If you improperly connect power, the module will almost certainly be <i>damaged</i> or <i>destroyed</i> . Such damage is not warranted! Please verify connections to the module <i>before</i> applying power.
-----------------	---

Power is normally supplied to the cpuModule through the PC/104 bus, connectors CN1 and CN2. If you are placing the cpuModule onto a PC/104 stack that has a power supply, you do not need to make additional connections to supply power.

If you are using the cpuModule without a PC/104 stack or with a stack that does not include a power supply, refer to ***Auxiliary Power, CN3*** for more details.

## ***Connecting the utility cable***

The Multifunction connector CN5, implements the following interfaces:

- AT keyboard
- Speaker output
- System reset input
- Battery input

To use these interfaces, you must connect to the Multifunction connector, making sure the orientation of pin 1 is correct. If you are using the Multifunction cable from our cable kit, the cable provides a small speaker, a 5-pin circular DIN connector for the keyboard, a push-button for resetting the PC/104 system, and a lithium battery to provide backup power to the Real Time Clock.

To connect individual devices to the Multifunction connector,  
please see *Connecting the utility cable*.

## ***Connecting a Keyboard***

You may plug a PC/AT compatible keyboard directly into the circular DIN connector of the Multi-function cable in our cable kit..

<b>NOTE!</b>	<p>Some newer keyboards may use a smaller "mini-DIN" connector; you will need an adapter to plug these keyboards into the cpuModule. These connectors are available for order instead of the default circular DIN connector.</p>
	<p>Many keyboards are switchable between PC/XT and AT operating modes, with the mode usually selected by a switch on the back or bottom of the keyboard. For correct operation with this cpuModule, you must select AT mode.</p>

## Connecting to the PC/104 Bus

The PC/104 bus connectors of the cpuModule are simply plugged onto a PC/104 stack to connect to other devices.

We recommend you follow the procedure below to ensure that stacking of the modules does not damage connectors or electronics.

<b>WARNING!</b>	Do not force the module onto the stack! Wiggling the module or applying too much pressure may damage it. If the module does not readily press into place, remove it, check for bent pins or out-of-place keying pins, and try again.
-----------------	--

- Turn off power to the PC/104 system or stack.
- Select and install standoffs to properly position the cpuModule on the PC/104 stack.
- Touch a grounded metal part of the rack to discharge any buildup of static electricity.
- Remove the cpuModule from its anti-static bag.
- Check that keying pins in the bus connector are properly positioned.
- Check the stacking order; make sure an XT bus card will not be placed between two AT bus cards or it will interrupt the AT bus signals.
- Hold the cpuModule by its edges and orient it so the bus connector pins line up with the matching connector on the stack.
- Gently and evenly press the cpuModule onto the PC/104 stack.

## ***Connecting to the PC/104-Plus PCI Bus***

The cpuModule is simply plugged onto a PC/104 stack. Other PC/104-*Plus* boards may then connect to the cpuModule's PC/104-*Plus* bus connector. Supplying power to the PCI bus is provided by the cpuModule.

We recommend you follow the procedure described for the PC/104 bus.

There are three additional considerations when using the PCI bus, PCI Bus signaling level, the slot selection switches on add in boards, and 3.3 volt power source for the expansion cards.

## PCI Bus Signaling Levels

The PCI bus can operate at 3.3 volt signaling level.

<b>WARNING!</b>	The bus can only operate as 3.3 Volt signaling only. You will have to ensure that all your expansion card can operate together at a single signaling level. The CPU module can supply a maximum of 2 Amps of current to the 3.3V supplies on the PCI bus.
-----------------	---

## Slot Selection Switches

Unlike PC/104 cards, PC/104 *Plus* expansion cards have a "slot" selection switch or jumpers. In total, there are 4 PCI cards that can be stacked onto the cpuModule with switch positions 0 through 3. The distance from the CPU determines these switch settings. The card closest to the CPU is said to be in slot 0, the next closest slot 1 and so on to the final card as slot 3. **This requirement means that all PC/104 *Plus* cards must be stacked either on the top or the bottom of the CPU, not on both sides.**

The "slot" setting method may vary from manufacturer to manufacturer, but the concept is the same. The CPU is designed to provide the correct delay to the clock signals to compensate for the bus length. The correct switch setting ensures the proper clock delay setting, interrupt assignment, and bus grant/request channel assignment. Refer to the expansion board's manual for the proper settings. Each expansion card must be in a different slot.

## PCI Bus Expansion Card Power

### **+5 Volt DC**

The +5 volt power pins on the PC/104 Plus PCI bus are directly connected to the +5 volt pins on the PC/104 connector and the power connector CN3 (pins 2 and 8). +5 volt expansion boards can be powered directly from these pins.

### **+3.3 Volt DC**

The default source for the +3.3 volt power pins on the PC/104 Plus PCI bus is a on board power converter. The on-board +5 volt to +3.3 volt converter is capable of suppling a maximum of 2 amps of 3.3 volts to the PCI bus. If 2 amps is not enough change solder blob BL1 from 1 and 2 to 2 and 3 . This change will connect the 3.3 volt power pins on the PCI bus to pins 10 and 12 on power connector CN3 .. This change will allow a new power source, connected to the power connector CN3, to drive the 3.3 volt power pins on the PCI bus.

### ***Booting the cpuModule for the First Time***

- You can now apply power to the cpuModule.the cpuModule BIOS version information
- a message requesting you press {Del} to enter the Setup program

If you don't press {Del}, the cpuModule will try to boot from the current settings.

If you press {Del}, the cpuModule will enter Setup. Once you have configured the cpuModule using Setup, save your changes and reboot.

<b>NOTE!</b>	By default, boards are shipped with fail safe boot rom enable.  When Fail Safe Boot ROM is enabled the system will boot to it exclusively.
--------------	--

## Default Configuration

In addition to the Setup configuration stored on the board, the cpuModule has a permanent default configuration. The system will resort to using this default if an error occurs when accessing the EPROM which holds the Setup on the module.

The default configuration is listed below.

<b>NOTE!</b>	By default, boards are shipped with fail safe boot rom enable.
	When Fail Safe Boot ROM is enabled the system will boot to it exclusively.

<b>BIOS Default Configuration</b>	
<b>Function</b>	<b>Default selection</b>
IDE Interface 0 Master	Auto detect
IDE Interface 0 Slave	Auto detect
IDE Interface 1 Master	Auto detect
IDE Interface 1 Slave	Auto detect
Boot device	Floppy then hard disk
BIOS Extension	Disabled
Floppy Drive 1	3.5" 1.44 Meg
Floppy Drive 2	not installed
Serial port 1	RS232 at 3F8H
Serial port 2	RS232 at 2F8H
Parallel Port	LPT1 at 378H
Keyboard	Enabled if connected
Video Resolution	High
Fail safe boot rom	Enabled
Select Active Video	Integrated
Power Management	Disabled
PNP OS Installed	No
Resources Controlled By	Auto
PCI IRQ Activated By	Level
IDE HDD Block Mode	Enabled
KBC Input Clock	8 Mhz
SSD Window	D800:0000
Onboard Parallel Port	378/IRQ7
Parallel Port Mode	SPP
Halt On	No Errors
Virus Warning	Disabled
CPU Internal Cache	Enabled
Cyrix 6X86/MII CUID	Enabled
Swap Floppy Drive	Disabled
Boot Up Numlock Status	Off
Gate A20 Option	Fast
Security Option	Setup

Report No FDD for WIN95	Yes
Quick Boot	Disabled
Extended Memory Test	Disabled
ISA Plug-n-Play Support	Enabled
Video Bios Shadow	Enabled
C8000-DFFFF	Disabled
16-bit I/O Recovery (Clock)	5
8-bit I/O Recovery (Clock)	5

## **Booting to Boot Block Flash with Fail Safe Boot ROM**

The Fail Safe Boot ROM is a special build of ROM-DOS™ located inside a surface mounted Boot Block Flash chip that is memory mapped to the SSD window. Boot Block Flash is a write protected flash device that contains the BIOS and extra room where the Fail Safe Boot ROM is stored in the ROM DISK. The build is special because it can understand the ROM DISK format on the flash chip. Additionally, Fail Safe Boot ROM is an emergency interface accessible by an external computer. The ROM DISK contains REMDISK and REMSERVE for remote access to the system's disk drives. Due to the size of the flash chip, Fail Safe Boot ROM contains an abbreviated selection of the ROM-DOS™ utilities, however, the complete ROM-DOS™ is contained on a floppy shipped with the board.

The purpose of the Fail Safe Boot ROM is to make the board bootable when the customer receives the cpuModule. Fail Safe Boot ROM can be used as an indicator of the board's functionality when booting problems arise with another operating system. This test can be accomplished by installing JP5. Installing JP5 forces the cpuModule to boot to Fail Safe Boot ROM. The ROM DISK that contains the Fail Safe Boot ROM acts as an example of what can be programmed into the flash chip. Last, Fail Safe Boot ROM allows files to be transferred on or off the storage devices in the system by use of REMSERV and REMDISK, two ROM-DOS™ utilities.

If the user would need remote access to the system run REMSERV on the target system and REMDISK on the host system. The end result would be that the storage devices on the target system would appear as additional drives on the host system. Information could then be transferred between hard disks by using a standard NULL Modem cable over a serial port. REMSERV makes the connection appear as an additional drive to the user. For details concerning this type of access, please refer to the ROM-DOS™ user's guide shipped with your board

<b>NOTE!</b>	By default, boards are shipped with fail safe boot rom enable.  When Fail Safe Boot ROM is enabled the system will boot to it exclusively.
--------------	--

The first time, your system will boot to the DOS prompt at the first available drive letter. If you do not intend to use REMSERV or REMDISK or you intend to boot from another device, you will need to disable Fail Safe Boot ROM. See the steps below for the method to disable it.

- Reset the system by either shutting it off and turning it on or by using the reset button.
- while the system is booting repeatedly press the DEL key to enter the BIOS setup.
- Choose INTEGRATED PERIPHERALS using the arrow keys and enter.
- Once in INTEGRATED PERIPHERALS set Fail Safe Boot in SSD Win: Disabled



## ***If You Misconfigure the cpuModule***

It is possible that you may incorrectly configure the cpuModule using Setup. If this happens the correct procedure is:

- Start Re-booting the cpuModule.
- While the system is re-booting repeatedly press the {Del} key until the cpuModule enters Setup.
- Change the parameters to correctly match your system.

If the above fails:

- Insert jumper JP5. This will force the cpuModule to boot using fail safe boot rom.
- Boot the cpuModule.
- Press the {delete} key to enter Setup.

## ***For More Information***

This chapter has been intended to get the typical user up and running quickly. If you need more details, please refer to the following chapters for more information on configuring and using the cpu-Module.

Phone: 814-234-8087

Fax: 814-234-5218

RTD Embedded Technologies, Inc.

103 Innovation Blvd.

State College PA 16803-0906

USA

Our website: [www.rtd.com](http://www.rtd.com)

Our e-mail: [techsupport@rtd.com](mailto:techsupport@rtd.com)



# CHAPTER 3: CONNECTING THE CPU MODULE

This chapter contains necessary information for any of the connectors on the cpuModule.

## I/O Connections

The cpuModule comes from the factory ready to connect to the peripherals shown in the following table.

Default Peripheral Settings

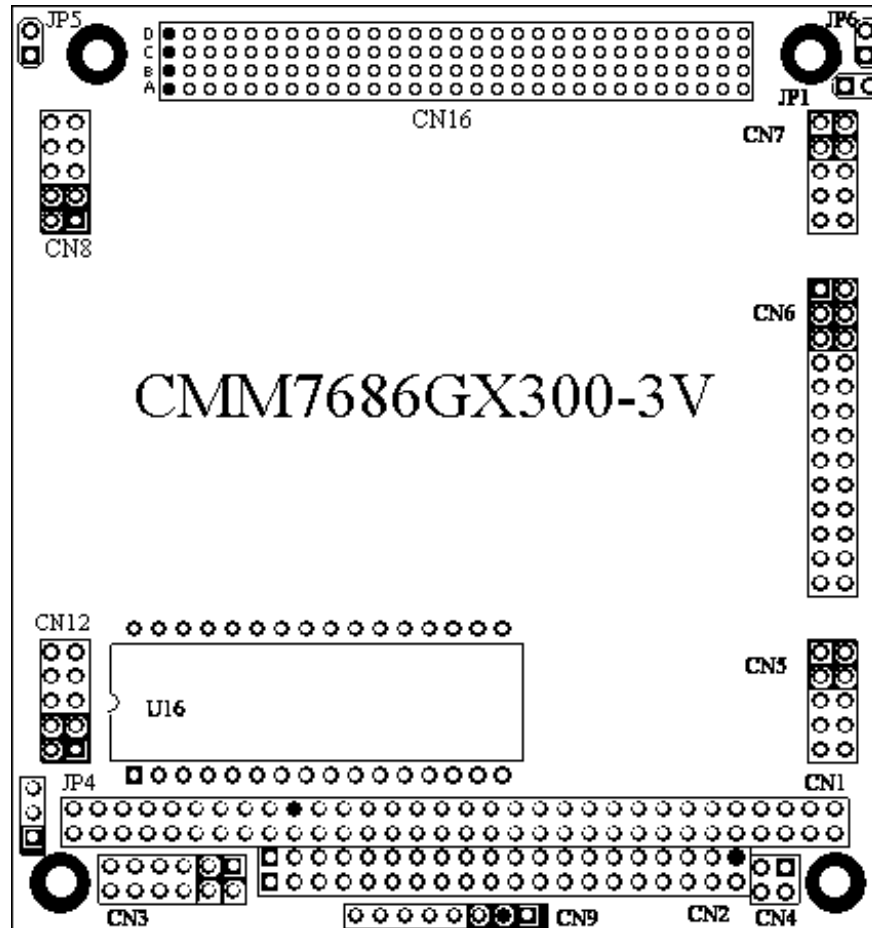
Item	Setting	Controlled by
Boot device	Floppy / DOC	Setup
SSD Power	5V on board or battery	Jumper
Serial Port #1	RS232 at 3F8H, IRQ 4	Setup
Serial Port #2	RS232 at 2F8H, IRQ 3	Setup
Parallel Port	Bi-directional at 378H, IRQ 7	Setup
Video Resolution	2.5 MB, High	Setup
Floppy Drive 1	1.44M 3.5"	Setup
Floppy Drive 2	Not installed	Setup
All IDE Drives	Auto Detect	Setup

If you are using peripherals compatible with this list, you do not need to configure any jumpers or software settings before connecting them. If you are using different peripherals, you may need to change the cpuModule settings. In that case, please see *Configuring with the RTD Enhanced Award BIOS*.

## Connector Locations

The figure and table below show all connectors and the SSD socket of the cpuModule.

### CMM7686GX300-3V Connector Locations



**NOTE!**

Pin 1 of each connector is indicated by a square solder pad on the bottom of the PC board and a white box silkscreened on the top of the board.

Connector	Function	Size
CN1	PC/104 XT Bus	64 Pin
CN2	PC/104 AT Bus	40 Pin
CN3	Auxiliary Power	12 pin
CN4	Bus Mouse	4 pin
CN5	Multifunction	10 pin
CN6	Parallel port	26 pin
CN7	Serial port 1	10 pin
CN8	Serial port 2	10 pin
CN12	Video	10 pin
CN16	PCI BUS	120 pin

## Auxiliary Power, CN3

<b>WARNING!</b>	If you improperly connect power, the module will almost certainly be <i>destroyed</i> . Please verify power connections to the module <i>before</i> applying power.
-----------------	---

The power supply can be conveyed to the module either through the PC/104 bus (CN1 and CN2) or through the Auxiliary Power Connector, CN3. The cpuModule only uses +5 VDC and ground. +12 VDC, -12 VDC and -5 VDC may be required on other PC/104 boards in the system..

### Auxiliary Power Connector CN3

Pin	Signal	Function
1	GND	Ground
2	+5 V	+5 Volts DC
3	N/C	Not Connected
4	+12 V	+12 Volts DC
5	-5 V	-5 Volts DC
6	-12 V	-12 Volts DC
7	GND	Ground
8	+5 V	+5 Volts DC
9	GND	Ground
10	+3.3 V	See Note
11	CPU V+	See Note
12	+3.3 V	See Note

Insufficient current supply will prevent your cpuModule from booting. The gauge and length of the wire used for connecting power to the cpuModule must be taken into consideration. Some power connectors have clip leads on them and may have significant resistance. Make sure that the input voltage does not drop below 4.8V at the 5V power pins (see the table labeled Typical Power Consumption for the cpuModule's power requirements). A good rule of thumb is to use wire that can supply twice the power your system requires.

<b>NOTE!</b>	Connect two separate wires to the +5V pins (2 and 8) on the power connector to ensure a good power supply. We recommend that no less than 22 gauge wire be used and the length of this wire should not exceed 3 ft. Always measure the voltage drop from your power supply to the power pins on the cpuModule. The voltage at pins (2 and 8) should be +5V.
--------------	---

Facing the connector pins, the pinout of the Auxiliary Power connector is:

11	9	7	5	3	1
CPU V+	GND	GND	-5V	N/C	GND
3.3 V	3.3 V	+5V	-12V	+12V	+5V
12	10	8	6	4	2

<b>NOTES!</b>	-5 VDC, +12 VDC and -12 VDC voltages are not used by the module, but are connected to the PC/104 bus connectors CN1 and CN2.
	The 3.3 volt pins (10 and 12) on power connector CN3 can be used to monitor the onboard 3.3 voltage regulator. In effect, these pins (10 and 12) become outputs. Don't use these pins as a source of 3.3 volts to another board and don't connect these pins to a 3.3 volt power supply. The onboard 3.3 volt regulator is limited to 2 Amps maximum.
	The CPU V+ pin 11 of CN3 is used to monitor the onboard CPU regulator which is 2.0 volts. Don't use this as source of 2.0 volts and don't connect this pin to a 2.0 volt power supply.
	Pins 10 and 12 on CN3 are floating by default factory setting. These pins are not set up for monitoring or power. If monitoring is needed at these pins, please contact us for details.

### Power Supply Protection

The cpuModule has protection circuitry which helps prevent damage due to problems with the +5V supply, such as:

- Reversed polarity
- Overvoltage
- Overcurrent

The circuitry includes a user-replaceable fuse, which is located near the PC/104 bus connector. This fuse is a:

- 3 amp Nano fuse
- Littelfuse part number 429003WR



## Serial Port 1, CN7

The first serial port is implemented on connector CN7. It is normally configured as a PC compatible full-duplex RS232 port, but you may use the Setup program to re-configure it as half-duplex RS422 or full-duplex RS422 or RS485. The I/O address and corresponding interrupt must also be selected using Setup. The available I/O addresses and the corresponding interrupts are shown in the following table

First Serial Port Settings	
I/O Address	IRQ
03F8H	IRQ4
02F8H	IRQ3
03E8H	IRQ4
02E8H	IRQ3

### First Serial Port UART

The first serial port is implemented with a 16550-compatible UART (Universal Asynchronous Receiver/Transmitter). This UART is capable of baud rates up to 115.2 kbaud in 16450 and 16550A compatible mode and 1.5 Mbaud in Enhanced UART mode, and includes a 16-byte FIFO. Please refer to any standard PC-AT hardware reference for the register map of the UART.

### RS232 Serial Port (Default)

The full-duplex RS232 mode is the default setting on the cpuModule. With this mode enabled, connector CN7 must be connected to RS232 compatible devices. The following table gives the connector pinout and shows how to connect to an external serial connector, either DB25 or DB9 compatible.

Connector CN7 in RS-232 Mode

Pin	Signal	Function	in/out	DB25	DB9
1	DCD	Data Carrier Detect	in	8	1
2	DSR	Data Set Ready	in	6	6
3	RXD	Receive Data	in	3	2
4	RTS	Request To Send	out	4	7
5	TXD	Transmit data	out	2	3
6	CTS	Clear To Send	in	5	8
7	DTR	Data Terminal Ready	out	20	4
8	RI	Ring Indicate	in	22	9
9,10	GND	Signal Ground	--	7	5

Facing the serial port's connector pins, the pinout is:

9	7	5	3	1
GND	DTR	TXD	RXD	DCD
GND	RI	CTS	RTS	DSR
10	8	6	4	2

### ***RS422 or RS485 Serial Port***

You may use Setup to configure the first serial port as RS422 or RS485. In this case, you must connect the serial port to an RS422 or RS485 compatible device.

When using RS422 or RS485 mode, you can use the port in either half-duplex (two-wire) or full-duplex (four-wire) configurations. For half-duplex (2-wire) operation, you must connect RXD+ to TXD+, and connect RXD- to TXD-.

<b>NOTE!</b>	<p>A 120 ohm termination resistors is provided on the cpuModule. Termination is usually necessary on all RS422 receivers and at the ends of the RS485 bus.</p> <p>If the termination resistor is required, it can be enabled by closing jumper JP1.</p>
--------------	---

When using full-duplex (typically in 422 mode) connect the ports as shown in the table below.

#### Full-Duplex Connections

Port 1	Port 2
RXD+	TXD+
TXD+	RXD+
RXD-	TXD-
TXD-	RXD-

When using half-duplex in 485 connect the ports as shown in the table below.

#### Half-Duplex 485 Mode

From	To
Port 1 TXD+	Port 1 RXD+
Port 1 TXD-	Port 1 RXD-
Port 1 TXD+	Port 2 RXD+
Port 1 RXD-	Port 2 TXD-

## RS422 and RS485 Mode Pinout

The following table gives the pinout of the serial port connector when RS422 or RS485 modes are enabled.

Connector CN7 in RS-422/485 Mode

Pin	Signal	Function	in/out	DB9
1	--	Data Carrier Detect	--	1
2	--	Data Set Ready	--	6
3	RXD-	Receive Data (-)	in	2
4	TXD+	Transmit Data (+)	out	7
5	TXD-	Transmit Data (-)	out	3
6	RXD+	Receive Data (+)	in	8
7	--	Reserved	--	4
8	--	Reserved	--	9
9,10	gnd	Signal ground	out	5

Facing the serial port connector, the pinout is:

9	7	5	3	1
GND	Rsvd	TXD-	RXD-	Rsvd
GND	Rsvd	RXD+	TXD+	Rsvd
10	8	6	4	2

### NOTE!

#### *when using RS422 or RS485 Mode*

When using the serial port in RS422 or RS485 mode, the serial transmitters are enabled and disabled under software control.

The transmitters are enabled by manipulating the Request To Send (RTS\*) signal of the first serial port controller or by I/O port 0x18. This signal is controlled by writing bit 1 of the Modem Control Register (MCR) or writing to I/O port 0x18 as follows:

- If MCR bit 1 = 1, then RTS\* = 0, and serial transmitters are disabled
- If MCR bit 1 = 0, then RTS\* = 1, and serial transmitters are enabled
- If Port 0x18h OR 0xCh then transmitters always on
- If Port 0x18h AND 0x3h then transmitters under RTS\* control

For more information on the serial port registers, including the MCR, please refer to a standard PC-AT hardware reference for the 16550-type UART.

## Serial Port 2, CN8

The second serial port is implemented on connector CN8. It is normally configured as a PC compatible full-duplex RS232 port, but you may use the Setup program to re-configure it as half- or full-duplex RS422 or RS485. The I/O address and corresponding interrupt must also be selected using Setup. The available I/O addresses and the corresponding interrupts are shown in the following table

Second Serial Port Settings	
I/O Address	Default IRQ
03F8H	IRQ4
02F8H	IRQ3
03E8H	IRQ4
02E8H	IRQ3

### Second Serial Port UART

The second serial port is implemented with a 16550-compatible UART (Universal Asynchronous Receiver/Transmitter). This UART is capable of baud rates up to 115.2 kbaud in 16450 and 16550A compatible mode and 1.5 Mbaud in Enhanced UART mode, and includes a 16-byte FIFO. Please refer to any standard PC-AT hardware reference for the register map of the UART.

### RS232 Serial Port (Default)

The full-duplex RS232 mode is the default setting on the cpuModule. With this mode enabled, the serial port connector must be connected to RS232 compatible devices. The following table gives the connector pinout and shows how to connect to an external serial connector, either XT (DB25) or AT(DB9) compatible.

Facing the serial connector pins, the pinout is:

9	7	5	3	1
GND	DTR	TXD	RXD	DCD
GND	RI	CTS	RTS	DSR
10	8	6	4	2

The following table gives the pinout of the serial port connector when RS232 mode is enabled.

#### Connector CN8 in RS-232 Mode

Pin	Signal	Function	in/out	DB25
1	DCD	Data Carrier Detect	in	8
2	DSR	Data Set Ready	in	6
3	RXD	Receive Data	in	3
4	RTS	Request To Send	out	4
5	TXD	Transmit data	out	2
6	CTS	Clear To Send	in	5
7	DTR	Data Terminal Ready	out	20

### Connector CN8 in RS-232 Mode

8	RI	Ring Indicate	in	22
9,10	GND	Signal Ground	--	7

### RS422 or RS485 Serial Port

You may use Setup to configure the second serial port as RS422 or RS485. In this case, you must connect the serial port to an RS422 or RS485 compatible device.

When using RS422 or RS485 mode, you can use the port in either half-duplex (two-wire) or full-duplex (four-wire) configurations. For half-duplex (2-wire) operation, you must connect RXD+ to TXD+, and connect RXD- to TXD-..

<b>NOTE!</b>	<p>A 120 ohm termination resistors is provided on the cpuModule. Termination is usually necessary on all RS422 receivers and at the ends of the RS485 bus.</p> <p>If the termination resistor is required, it can be enabled by closing jumper JP2.</p>
--------------	---

When using full-duplex (typically in 422 mode) connect the ports as shown in the table below.

### Full-Duplex Connections

Port 1	Port 2
RXD+	TXD+
TXD+	RXD+
RXD-	TXD-
TXD-	RXD-

When using half-duplex in 485 connect the ports as shown in the table below.

### Half-Duplex 485 Mode

From	To
Port 1 TXD+	Port 1 RXD+
Port 1 TXD-	Port 1 RXD-
Port 1 TXD+	Port 2 RXD+
Port 1 RXD-	Port 2 TXD-

The following table gives the pinout of connector CN8 when RS422 or RS485 modes are enabled.

### Connector CN8 in RS-422/485 Mode

Pin	Signal	Function	in/out	DB9
1	--	Data Carrier Detect	--	1
2	--	Data Set Ready	--	6
3	RXD-	Receive Data (-)	in	2
4	TXD+	Transmit Data (+)	out	7

Connector CN8 in RS-422/485 Mode

5	TXD-	Transmit Data (-)	out	3
6	RXD+	Receive Data (+)	in	8
7	--	Reserved	--	4
8	--	Reserved	--	9
9,10	gnd	Signal ground	out	5

Facing the serial port's connector pins, the pinout is:

9	7	5	3	1
GND	Rsvd	TXD-	RXD-	Rsvd
GND	Rsvd	RXD+	TXD+	Rsvd
10	8	6	4	2

**NOTE!**

**when using RS422 or RS485 Mode**

When using the serial port in RS422 or RS485 mode, the serial transmitters are enabled and disabled under software control. The transmitters are enabled by manipulating the Request To Send (RTS\*) signal of the first serial port controller or by I/O port 0x18. This signal is controlled by writing bit 1 of the Modem Control Register (MCR) or writing to I/O port 0x18 as follows:

- If MCR bit 1 = 1, then RTS\* = 0, and serial transmitters are disabled
- If MCR bit 1 = 0, then RTS\* = 1, and serial transmitters are enabled
- If Port 0x18h OR 0xCh then transmitters always on
- If Port 0x18h AND 0x3h then transmitters under RTS\* control

For more information on the serial port registers, including the MCR, please refer to a standard PC-AT hardware reference for the 16550-type UART.

## ***Parallel Port, CN6***

The parallel port is available on connector **CN6**. You can use Setup to select its address, associated interrupt, and choose between its operational modes (SPP, ECP, EPP 1.7 and EPP 1.9).

The pinout of the connector allows a ribbon cable to directly connect it to a DB25 connector, thus providing a standard PC compatible port.

The following tables lists the parallel port signals and explains how to connect it to a DB25 connector to obtain a PC compatible port.

<b>NOTE!</b>	For correct operation, keep the length of the cable connecting the cpu-Module and parallel device less than 3 meters (10 feet).
--------------	---

**Parallel Port Connector, CN6**

<b>Parallel Port Connector, CN6</b>				
<b>Pin</b>	<b>Signal</b>	<b>Function</b>	<b>in/out</b>	<b>DB25</b>
1	STB	Strobe Data	out	1
2	AFD	Autofeed	out	14
3	PD0	Printer Data 0 (LSB)	out	2
4	ERR	Printer Error	in	15
5	PD1	Parallel Data 1	out	3
6	INIT	Initialize printer	out	16
7	PD2	Printer Data 2	out	4
8	SLIN	Select printer	out	17
9	PD3	Printer Data 3	out	5
10	GND	Signal ground	--	18
11	PD4	Printer Data 4	out	6
12	GND	Signal ground	--	19
13	PD5	Printer Data 5	out	7
14	GND	Signal ground	--	20
15	PD6	Printer Data 6	out	8
16	GND	Signal ground	--	21
17	PD7	Printer Data 7 (MSB)	out	9
18	GND	Signal ground	--	22
19	ACK	Acknowledge	in	10
20	GND	Signal ground	--	23
21	BSY	Busy	in	11
22	GND	Signal ground	--	24
23	PE	Paper End	in	12
24	GND	Signal ground	--	25

Parallel Port Connector, CN6

25	SLCT	Ready To Receive	in	13
26	GND	Signal ground	--	26

## Multifunction Connector, CN5

The Multifunction connector implements the following functions:

- Speaker output
- AT keyboard
- System reset input
- Watchdog Timer output
- Battery Input

The following table gives the pinout of the Multifunction connector.

Multifunction Connector CN5

Pin	Signal	Function	in/out
1	SPKR+	Speaker output (open collector)	out
2	SPKR-	Speaker output (+5 volts)	out
3	RESET	Manual push button reset	in
4	--	Not connected	--
5	KBD	Keyboard Data	in
6	KBC	Keyboard Clock	out
7	GND	Ground	--
8	KBP	Keyboard Power (+5 volts)	out
9	BAT	Battery input	in
10	--	Not Connected	--

Facing the connector pins, the pinout is:

9	7	5	3	1
BAT	GND	KBD	RESET	SPKR+
	KBP	KBC		SPKR-
10	8	6	4	2

### Speaker

A speaker output is available on pins 1 and 2 of the Multifunction connector. These outputs are controlled by a transistor to supply 0.1 watt of power to an external speaker. The external speaker should have 8 ohm impedance and be connected between pins 1 and 2.

### Keyboard

An AT compatible keyboard can be connected to the Multifunction connector. Usually PC keyboards come with a cable ending with a 5-pin male 'DIN' connector. The following table lists the relationship between the Multifunction connector pins and a standard 'DIN' keyboard connector.

<b>Keyboard Connector Pins on CN5</b>			
<b>Pin</b>	<b>Signal</b>	<b>Function</b>	<b>DIN</b>
5	KBD	Keyboard Data	2
6	KBC	Keyboard Clock	1
7	GND	Ground	4
8	KBP	Keyboard Power (+5 Volts)	5

To ensure correct operation, check that the keyboard is either an AT compatible keyboard or a switchable XT/AT keyboard set to AT mode. Switchable keyboards are usually set by a switch on the back or bottom of the keyboard.

### ***System Reset***

Pin 3 of the multifunction connector allows connection of an external push-button to manually reset the system. The push-button should be normally open, and connect to ground when pushed.

### ***Battery***

Pin 9 of the multifunction connector is the connection for an external backup battery (in the range 2.40 V to 4.15 V; typically 3.0 or 3.6 V). This battery is used by the cpuModule when system power is removed, to preserve the date and time in the Real Time Clock and preserve SRAM contents if the SSD jumpers are configured for battery backup.

## VGA Video Connector, CN12

The following table gives the pinout of the video connector.

VGA Video Connector, CN12

Pin	Signal	Function	in/out
1	VSYNC	Vertical Sync	out
2	HSYNC	Horizontal Sync	out
3	DDCSCL	Monitor communications clock	out
4	RED	Red analog output	out
5	DDCSDA	Monitor communications data	bidirectional
6	GREEN	Green analog output	out
7	N/C	Not connected	--
8	BLUE	Blue analog output	out
9	GND	Ground	out
10	GND	Ground	out

. Facing the connector pins of CN12, the pinout is:

9	7	5	3	1
GND	N/C	DDCSDA	DDCSCL	VSYNC
GND	BLUE	GREEN	RED	HSYNC
10	8	6	4	2

### Supported Video Resolutions and BIOS Settings

Resolution	Colors	Refresh Rate	Minimum BIOS Video Resolution Setting
640 x 480	256	60	Low 1.25 MB
640 x 480	256	72	Low 1.25 MB
640 x 480	256	75	Low 1.25 MB
640 x 480	256	85	Low 1.25 MB
640 x 480	64 K	60	Medium 1.5 MB
640 x 480	64 K	72	Medium 1.5 MB
640 x 480	64 K	75	Medium 1.5 MB
640 x 480	64 K	85	Medium 1.5 MB
800 x 600	256	60	Low 1.25 MB
800 x 600	256	72	Low 1.25 MB
800 x 600	256	75	Low 1.25 MB
800 x 600	256	85	Low 1.25 MB
800 x 600	64 K	60	Medium 1.5 MB
800 x 600	64 K	72	Medium 1.5 MB
800 x 600	64 K	75	Medium 1.5 MB
800 x 600	64 K	85	Medium 1.5 MB
1024 x 768	256	60	Low 1.25 MB

### Supported Video Resolutions and BIOS Settings

Resolution	Colors	Refresh Rate	Minimum BIOS Video Resolution Setting
1024 x 768	256	70	Low 1.25 MB
1024 x 768	256	75	Low 1.25 MB
1024 x 768	256	85	Low 1.25 MB
1024 x 768	64 K	60	High 2.5 MB
1024 x 768	64 K	70	High 2.5 MB
1024 x 768	64 K	75	High 2.5 MB
1024 x 768	64 K	85	High 2.5 MB
1280 x 1024	256	60	High 4.0 MB
1280 x 1024	256	70	High 4.0 MB
1280 x 1024	256	75	High 4.0 MB
1280 x 1024	256	85	High 4.0 MB
1280 x 1024	64 K	60	High 4.0 MB
1280 x 1024	64 K	75	High 4.0 MB
1280 x 1024	64 K	85	High 4.0 MB

## ***Bus Mouse Connector, CN4***

The following table gives the pinout of the Bus Mouse connector.

Bus Mouse Connector, CN4

<b>Pin</b>	<b>Signal</b>	<b>Function</b>	<b>in/out</b>
1	+5 V	+5 Volts	out
2	GND	Ground	out
3	MCLK	Mouse Clock	out
4	MDAT	Mouse Data	bidirectional

Facing the connector pins, the pinout is:

3	1
MCLK	+5 V
MDAT	GND
4	2

## PC/104 Bus, CN1 and CN2

Connectors CN1 and CN2 carry signals of the PC/104 bus; these signals match definitions of the IEEE P996 standard. The following tables list the pinouts of the PC/104 bus connectors.

The following table lists the signals of the XT portion of the PC/104 bus (see Notes below AT Bus table).

PC/104 XT Bus Connector, CN1

Pin	Row A	Row B
1	N.C.	0V
2	SD7	RESETDRV
3	SD6	+5V
4	SD5	IRQ2
5	SD4	-5V
6	SD3	DRQ2
7	SD2	-12V
8	SD1	N.C.
9	SD0	+12V
10	IOCHRDY	(Keying pin)
11	AEN	SMEMW*
12	SA19	SMEMR*
13	SA18	IOW*
14	SA17	IOR*
15	SA16	DACK3*
16	SA15	DRQ3
17	SA14	DACK1*
18	SA13	DRQ1
19	SA12	REFRESH*
20	SA11	SYSCLK
21	SA10	IRQ7
22	SA9	IRQ6
23	SA8	IRQ5
24	SA7	IRQ4
25	SA6	IRQ3
26	SA5	DACK2*
27	SA4	TC
28	SA3	BALE
29	SA2	+5V
30	SA1	OSC
31	SA0	0V
32	0V	0V

The following table lists signals of the AT portion of the PC/104 bus.

PC/104 AT Bus Connector, CN2

Pin	Row C	Row D
0	0V	0V
1	SBHE*	MEMCS16*
2	LA23	IOCS16*
3	LA22	IRQ10
4	LA21	IRQ11
5	LA20	IRQ12
6	LA19	IRQ15
7	LA18	IRQ14
8	LA17	DACK0*
9	MEMR*	DRQ0
10	MEMW*	DACK5*
11	SD8	DRQ5
12	SD9	DACK6*
13	SD10	DRQ6
14	SD11	DACK7*
15	SD12	DRQ7
16	SD13	+5V*
17	SD14	MASTER*
18	SD15	0V
19	(Keying pin)	0V

**Notes:**

ISA bus refresh is not supported by this cpuModule.

Keying pin positions have the pin cut on the bottom of the board and the hole plugged in the connector to prevent misalignment of stacked modules. This is a feature of the PC/104 specification and should be implemented on all mating PC/104 modules.

Signals marked with (\*) are active-low.

All bus lines can drive a maximum current of 4 mA at TTL voltage levels.

## PC/104 Bus Signals

The following table contains brief descriptions of the PC/104 bus signals.

PC/104 Bus Signals

Signal	I/O	Description
AEN	O	Address ENable: when this line is active (high), it means a DMA transfer is being performed, and therefore, the DMA controller has control over the data bus, the address bus, and the control lines.
BALE	O	Bus Address Latch Enable, active high. When active, it indicates that address lines SA0 to SA19 are valid.
DACKx*	O	DMA ACKnowledge x=0-7, active low, used to acknowledge DMA requests.
DRQx	I	DMA Request x=0-7: these are asynchronous lines used by peripheral devices to request DMA service. They have increasing priority from DRQ0 up to DRQ7. A DMA request is performed by setting the DRQ line high and keeping it high until the corresponding DACK line is activated.
ENDXFR*	I/O	This is the only synchronous signal of the PC/104 bus and it is active low. It indicates that the current bus cycle must be performed with 0 wait states. It is used only for 16-bit boards.
IOCHCHK*	I	I/O Channel Check, active low, indicates an error condition that cannot be corrected.
IOCHRDY	I	I/O Channel Ready: this line, usually high (ready) is pulled to a low level by devices which need longer bus cycles.
IOCS16*	I	I/O Chip Select 16-bit: this line, active low, is controlled by devices mapped in the I/O address space. It indicates they have a 16-bit bus width.
IOR*	O	I/O Read, active low, indicates when the devices present on the bus can send their information on the data bus.
IOW*	O	I/O Write, active low. When active, it allows the peripheral devices to read data present on the data bus.
IRQx	I	Interrupt Request: x = 2 to 15, active on rising edge. IRQ15 has top priority; the other lines have decreasing priority starting from IRQ14 down to IRQ2. An interrupt request is performed by changing the level of the corresponding line from low to high and keeping it high until the microprocessor has recognized it.
KEY	N/A	These locations contain mechanical keying pins to help prevent incorrect connector insertion.
LA23..LA17	O	These signals select a 128kbyte window in the 16Mbyte address space available on the bus.

## PC/104 Bus Signals

MASTER*	I	During a DMA cycle, this active-low signal, indicates that a resource on the bus is about to drive the data and address lines.
MEMCS16*	I	Memory Chip Select 16-bit: this line, active low, is controlled by devices mapped in the memory address space and indicates they have a 16-bit bus width.
MEMR*	I/O	This active-low signal indicates a memory read operation. Devices using this signal must decode the address on lines LA23..LA17 and SA19..SA0.
MEMW*	I/O	This active-low signal indicates a memory write operation. Devices using this signal must decode the address on lines LA23..LA17 and SA19..SA0.
OSC	O	OSCillator: clock with a 70 ns period and a 50% duty cycle. It is a 14.31818 MHz always presents.
REFRESH*	I	This cpuModule does not support refresh on the ISA bus. This pin is pulled high with a 4.7 K ohm resistor and may be driven by another card in the PC/104 stack.
RESETDRV	O	This line, active high, is used to reset the devices on the bus, at power-on or after a reset command.
SA0..19	O	Address bits 0 to 19: these lines are used to address the memory space and the I/O space. SA0 is the least significant bit while SA19 is the most significant bit.
SBHE*	O	This active-low signal indicates a transfer of the most significant data byte (SD15..SD8).
SD8..15	I/O	Data bits: these are the high-byte data bus lines. SD8 is the least significant bit; SD15 the most significant bit.
SD0..7	I/O	Data bits: these are the low-byte data bus lines. SD0 is the least significant bit; SD7 the most significant bit.
SMEMR*	O	Memory Read command, active low.
SMEMW*	O	Memory Write command, active low.
SYSCLK	O	System Clock, 8.0MHz with a 50% duty cycle. Only driven during external bus cycles.
TC	O	Terminal Count: this line is active high and indicates the conclusion of a DMA transfer.

## **PC/104 Bus Termination**

Termination of PC/104 bus signals is not recommended since this cpuModule incorporates source termination on bus signals and may cause malfunctions of the cpuModule.

## PC/104-Plus PCI Bus, CN16

Connector CN16 carries the signals of the PC/104-Plus PCI bus. These signals match definitions of the PCI Local Bus specification Revision 2.1. The following tables list the pinouts of the PC/104-Plus bus connector.

PC/104-Plus Bus Signal Assignments

Pin	A	B	C	D
1	GND/5.0V KEY <sup>1</sup>	Reserved	+5V	AD00
2	VI/O	AD02	AD01	+5V
3	AD05	GND	AD04	AD03
4	C/BE0*	AD07	GND	AD06
5	GND	AD09	AD08	GND
6	AD11	VI/O	AD10	M66EN
7	AD14	AD13	GND	AD12
8	+3.3V	C/BE1*	AD15	+3.3V
9	SERR*	GND	SB0*	PAR
10	GND	PERR*	+3.3V	SDONE
11	STOP*	+3.3V	LOCK*	GND
12	+3.3V	TRDY*	GND	DEVSEL*
13	FRAME*	GND	IRDY*	+3.3V
14	GND	AD16	+3.3V	C/BE2*
15	AD18	+3.3V	AD17	GND
16	AD21	AD20	GND	AD19
17	+3.3V	AD23	AD22	+3.3V
18	IDSEL0	GND	IDSEL1	IDSEL2
19	AD24	C/BE3*	VI/O	IDSEL3
20	GND	AD26	AD25	GND
21	AD29	+5V	AD28	AD27
22	+5V	AD30	GND	AD31
23	REQ0*	GND	REQ1*	VI/O
24	GND	REQ2*	+5V	GNT0*
25	GNT1*	VI/O	GNT2*	GND
26	+5V	CLK0	GND	CLK1
27	CLK2	+5V	CLK3	GND
28	GND	INTD*	+5V	RST*
29	+12V	INTA*	INTB*	INTC*
30	-12V	Reserved	Reserved	GND/3.3V KEY <sup>1</sup>

Notes:

1. The KEY pins are to guarantee proper module installation. Pin-A1 is removed and the female side plugged for 5.0V I/O signals and Pin-D30 is modified in the same manner for 3.3V I/O. It is recommended that both KEY pins (A1 and D30) be electrically connected to GND for shielding.

## **PC/104-Plus PCI Bus Signals**

The following are brief descriptions of the PC/104-Plus PCI bus signals.

### ***Address and Data***

**AD[31:00]** -- Address and Data are multiplexed. A bus transaction consists of an address cycle followed by one or more data cycles.

**C/BE[3:0]\*** -- Bus Command/Byte Enables are multiplexed. During the address cycle, the command is defined. During the Data cycle, they define the byte enables.

**PAR** -- Parity is even on AD[31:00] and C/BE[3:0]\* and is required.

### ***Interface Control Pins***

**FRAME\*** -- Frame is driven by the current master to indicate the start of a transaction and will remain active until the final data cycle.

**TRDY\*** -- Target Ready indicates the selected device's ability to complete the current data cycle of the transaction. Both IRDY\* and TRDY\* must be asserted to terminate a data cycle.

**IRDY\*** -- Initiator Ready indicates the master's ability to complete the current data cycle of the transaction.

**STOP\*** -- Stop indicates the current selected device is requesting the master to stop the current transaction.

**DEVSEL\*** -- Device Select is driven by the target device when its address is decoded.

**IDSEL** -- Initialization Device Select is used as a chip-select during configuration.

**LOCK\*** -- Lock indicates an operation that may require multiple transactions to complete.

### ***Error Reporting***

**PERR\*** -- Parity Error is for reporting data parity errors.

**SERR\*** -- System Error is for reporting address parity errors.

### ***Arbitration (Bus Masters Only)***

**REQ\*** -- Request indicates to the arbitrator that this device desires use of the bus.

**GNT\*** -- Grant indicates to the requesting device that access has been granted.

### ***System***

**CLK** -- Clock provides timing for all transactions on the PCI bus.

**RST\*** -- Reset is used to bring PCI-specific registers to a known state.

### ***Interrupts***

**INTA\*** -- Interrupt A is used to request Interrupts.

**INTB\*** -- Interrupt B is used to request Interrupts only for multi-function devices.

**INTC\*** -- Interrupt C is used to request Interrupts only for multi-function devices.

**INTD\*** -- Interrupt D is used to request Interrupts only for multi-function devices.

### ***Power Supplies and VIO***

**+5V** -- +5 volt supply connected to PC/104 bus and power connector +5V supplies.

**+12V** -- +12 volt supply connected to PC/104 bus and power connector +12V supplies.

**-12V** -- -12 volt supply connected to PC/104 bus and power connector -12V supplies.

**+3.3V** -- +3.3 volt supply is an on-board converter which can deliver up to 2 amps.

**VIO** -- This signal typically is the I/O power to the bus drivers on a PCI bus card. BL3 selects +3.3 volts to indicate +3.3 volt signaling. The default is +3.3 volts. No other device except this board should drive the VIO pin.



# CHAPTER 4: CONFIGURING THE CPU MODULE (BIOS SETUP)

This chapter contains information to configure the cpuModule.

Topics covered in this chapter include:

- Entering Setup
- Default Configuration
- Disabling Fail Safe Boot ROM
- Configuring Using the Setup Program
- Adding SSD Memory

## ***Entering the BIOS Setup***

- Apply power to the system
- Repeatedly press the DEL key to enter setup

## Default Configuration

In addition to the Setup configuration stored on the board, the cpuModule has a permanent default configuration. The system will resort to using this default if an error occurs when accessing the EPROM which holds the Setup on the module.

The default configuration is listed below.

BIOS Default Configuration	
Function	Default selection
IDE Interface 0 Master	Auto detect
IDE Interface 0 Slave	Auto detect
IDE Interface 1 Master	Auto detect
IDE Interface 1 Slave	Auto detect
Boot device	Floppy then hard disk
BIOS Extension	Disabled
Floppy Drive 1	3.5" 1.44 Meg
Floppy Drive 2	not installed
Serial port 1	RS232 at 3F8H
Serial port 2	RS232 at 2F8H
Parallel Port	LPT1 at 378H
Keyboard	Enabled if connected
Video Resolution	High
Fail safe boot rom	Enabled
Select Active Video	Integrated
Power Management	Disabled
PNP OS Installed	No
Resources Controlled By	Auto
PCI IRQ Activated By	Level
IDE HDD Block Mode	Enabled
KBC Input Clock	8 Mhz
SSD Window	D800:0000
Onboard Parallel Port	378/IRQ7
Parallel Port Mode	SPP
Halt On	No Errors
Virus Warning	Disabled
CPU Internal Cache	Enabled
Cyrix 6X86/MII CUID	Enabled
Swap Floppy Drive	Disabled
Boot Up Numlock Status	Off
Gate A20 Option	Fast
Security Option	Setup
Report No FDD for WIN95	Yes
Quick Boot	Disabled
Extended Memory Test	Disabled
ISA Plug-n-Play Support	Enabled

Video Bios Shadow	Enabled
C8000-DFFFF	Disabled
16-bit I/O Recovery (Clock)	5
8-bit I/O Recovery (Clock)	5

**NOTE!**

Boards are shipped with fail safe boot rom enable. See the chapter on Configuring the cpuModule (BIOS setup) in Disabling Fail Safe Boot ROM for the method to disable it.

When Fail Safe Boot ROM is enabled the system will boot to it exclusively.

## ***Disabling Fail Safe Boot Rom***

- Reset the system by either shutting it off and turning it on or by using the reset button.
- while the system is booting repeatedly press the DEL key to enter the BIOS setup.
- Choose INTEGRATED PERIPHERALS using the arrow keys and enter.
- Once in INTEGRATED PERIPHERALS set Fail Safe Boot in SSD Win: Disabled

## Installing SSD Memory

This section explains how to add SSD devices to the cpuModule. This procedure is only necessary when you wish to add or change Solid State Disk memory devices

You may wish to install SSD memory to use the cpuModule as a "diskless" stand-alone device.

Refer to *Storing Applications On-board* for more information on various SSD device types. Solid State Disk memories are placed in SSD socket U16

The following table lists possible configurations for the SSD socket:

SSD Support				
Type	Part	Operation	Capacity	Notes
Atmel 5V Flash	29C010A	read/write	128KB	
	29C040A	read/write	512KB	
BIOS Extension Devices	DiskOnChip and PromDisk Boot Block Flash	read/write	to 288 MB+	
NOVRAM	DS1645Y	read/write	128KB	
	DS1650Y	read/write	512KB	
SRAM	128KB	read/write	128KB	battery backup
	512KB	read/write	512KB	battery backup
12V Flash	28F010	read-only	128KB	read-only
	28F020	read-only	256KB	read-only
AMD 5V Flash	29F010	read-only	128KB	read-only
	29F040	read-only	512KB	read-only
EPROM	27C010	read-only	128KB	read-only
	27C020	read-only	256KB	read-only
	27C040	read-only	512KB	read-only
	27C080	read-only	1MB	read-only

## Quick Boot Description

The BIOS contains a Quick Boot option which minimizes the boot time for standard time critical systems. Quick Boot eliminates the exhaustive tests that are performed during POST while maintaining the functionality of the board (see note #1). By enabling the Quick Boot feature, your system can achieve 5 second boot times as shown in the table below.

BIOS Settings and Boot Times

	Normal Boot	Quick Boot
Standard RTD Defaults	~ 16 seconds	< 10 seconds
Primary Master : None Primary Slave : None Secondary Master : None Secondary Slave : None  Device in SSD Socket #1 : ATMEL-512k SSD Window : D800:0000 Drive A: : SSD	~ 20 seconds	< 6 seconds
Same configuration as above including  ISA Plug-n-Play Support : Disabled	~ 18 seconds	< 5 seconds

To achieve boot times of 6 seconds or less, you will have to disable the HDD and possibly any other devices attached to the IDE controller. Booting to a SSD (see note #2) device is faster than a hard drive.

To achieve boot times of 5 seconds or less, ISA Plug-n-Play Support must be disabled. If there is not an ISA PnP card attached to your system then disabling this feature will save at least 1 second. Some modern operating systems (Windows) will automatically configure ISA PnP devices. If using one of these operating systems, ISA Plug-n-Play cards will still work even if it is disabled in the BIOS. Check with your OS vendor to see if ISA auto configuration is supported.

Quick Boot in conjunction with the watch dog timer allows frozen systems or systems with temporary power loss to become operable again within a few seconds. This can reduce the risk of complete system failure.

<b>NOTE!</b>	<ol style="list-style-type: none"> <li>1) NumLock will always be off on boot up when Quick Boot is enabled</li> <li>2) DiskOnChip devices contain their own embedded firmware. Boot times can vary because of its initialization process. Contact M-Systems for more information.</li> </ol>
--------------	--

## Configuring with the RTD Enhanced Award BIOS

The cpuModule Setup program allows you to customize the cpuModule's configuration. Selections made in Setup are stored on the board and are read by the BIOS at power-on.

### Starting Setup

You can run Setup by:

- Re-boot the cpuModule, and press the {Del} key.

When you are finished with Setup, save your changes and exit. The system will automatically reboot.

### Using the Setup Program

All displays in Setup consist of two areas. The left area lists the available selections. The right area displays help messages which you should always read.

### Field Selection

You move between fields in Setup using the keys listed below.

#### Setup Keys

Key	Function
→,←, ↓,↑	move between fields
+, -, <PgUp>, <PgDn>	selects next/previous values in fields
<Enter>	Go to the submenu for the field.
<Esc>	to previous menu then to exit menu

## ***Main Menu Setup Fields***

The following is a list of Main menu Setup fields.

### **Main Menu Setup Fields**

<b>Field</b>	<b>Active keys</b>	<b>Selections</b>
Standard CMOS Setup	Press <Enter> to select	Access commonly used settings for the floppy drives, hard disks, and video.
BIOS Features Setup	Press <Enter> to select	Access settings for BIOS features such as boot sequence, keyboard options and test options.
Chipset Features Setup	Press <Enter> to select	Set chipset specific options.
Power management Setup	Press <Enter> to select	Set power management options.
PNP/PCI Configuration Setup	Press <Enter> to select	Set PNP and PCI options.
Load RTD Defaults	Press <Enter> to select	Load setup defaults except Standard CMOS Setup
Integrated Peripherals	Press <Enter> to select	Set I/O device options
Supervisor Password	Press <Enter> to select	Set supervisor access password.
User Password	Press <Enter> to select	Set user access password.
IDE HDD Auto Detection	Press <Enter> to select	Have the BIOS detect the IDE hard disks connected to the system.
Save and Exit Setup	Press <Enter> to select	Save your changes and exit Setup.
Exit without Saving	Press <Enter> to select	Exit Setup without saving changes.

## Standard CMOS Setup

The following is an alphabetical list of Standard CMOS Setup fields. BIOS Features Setup

### Standard CMOS Setup Fields

Field	Active keys	Selections
Date	{0..9},{↵}	Sets the date with the format: <ul style="list-style-type: none"> <li>• month / day / year</li> <li>• You must connect a backup battery, or this setting will be lost at power down.</li> </ul>
Time	{0..9},{↵}	Sets the time with the format: <ul style="list-style-type: none"> <li>• hour: minute: second</li> <li>• You must connect a backup battery, or this setting will be lost at power down.</li> </ul>
Hard Disk Primary Master  Primary Slave  Secondary Master  Secondary Slave	+, -, <PgUp>, <PgDn>	Selects the IDE hard disk type for each interface. An interface must have a master before a slave can be added. Make sure you configure the drive jumpers correctly. Selections are: <ul style="list-style-type: none"> <li>• None</li> <li>• Auto (Auto detect drive parameters, not all drives can be auto detected)</li> <li>• 1 - 45 Standard drive types</li> <li>• USER (User enters drive parameters)</li> </ul>
Drive A  Drive B	+, -, <PgUp>, <PgDn>	Selects the format of each floppy disk: Selections are: <ul style="list-style-type: none"> <li>• None</li> <li>• 360 KB, 5¼" Floppy</li> <li>• 1.2 MB, 5¼" Floppy</li> <li>• 720 KB, 3½" Floppy</li> <li>• 1.44/1.25 MB, 3½" Floppy</li> <li>• 2.88 MB, 3½" Floppy</li> <li>•</li> </ul>
Video	+, -, <PgUp>, <PgDn>	<ul style="list-style-type: none"> <li>• EGA\VGA</li> <li>• CGA 40</li> <li>• CGA 80</li> <li>• MONO</li> </ul>
Halt On	+, -, <PgUp>, <PgDn>	<ul style="list-style-type: none"> <li>• All, But Keyboard</li> <li>• All, But Diskette</li> <li>• All, But Disk/Key</li> <li>• All Errors</li> <li>• No Errors</li> </ul>

## BIOS Features Setup

The following is a list of BIOS Features Setup fields.

### BIOS Features Setup Fields

Field	Active keys	Selections
Virus warning	+, -, <PgUp>, <PgDn>	Enable or disable virus warning <ul style="list-style-type: none"><li>• Enable -- Warn if boot sector or partition table is being modified</li><li>• Disable -- Allow boot sector or partition table modification</li></ul>
CPU Internal Cache	+, -, <PgUp>, <PgDn>	Enable or disable CPU internal cache <ul style="list-style-type: none"><li>• Enable -- Enable CPU internal 16 KB cache</li><li>• Disable -- Disable CPU internal 16 KB cache</li></ul>
Boot Sequence	+, -, <PgUp>, <PgDn>	Select from the options the boot sequence for the CPU
Swap floppy drive	+, -, <PgUp>, <PgDn>	Swap floppy drive A: and B: <ul style="list-style-type: none"><li>• Enable -- Floppy connected after the twist in the floppy wire will be Drive B: and floppy connected before the twist in the floppy wire will be Drive A:</li><li>• Disable (Normal) -- Floppy connected after the twist in the floppy wire will be Drive A: and floppy connected after the twist in the floppy wire will be Drive B:</li></ul> Note: This only works with two floppies installed.
Boot up numlock status	+, -, <PgUp>, <PgDn>	Set keypad numlock status after boot <ul style="list-style-type: none"><li>• On -- Keypad is number keys</li><li>• Off -- Keypad is cursors keys</li></ul>
Gate A20 option	+, -, <PgUp>, <PgDn>	Select gate A20 options <ul style="list-style-type: none"><li>• Normal -- Use keyboard controller to control A20 gate</li><li>• Fast -- Allow chipset to control A20 gate</li></ul>
Security option	+, -, <PgUp>, <PgDn>	Limit access with password to the system and setup or just setup <ul style="list-style-type: none"><li>• System -- The system will not boot and access to setup will be denied if the correct password is not entered at the prompt</li><li>• Setup -- The system will boot but, access to setup will be denied if the correct password is not entered at the prompt</li></ul> Note: To disable security, select Password setting at the main menu and then you will be asked to enter a password. Do not type anything, just press <Enter> and it will disable security. Once security is disabled, you can boot and enter setup freely.
Report No FDD for Win95	+, -, <PgUp>, <PgDn>	Enable reporting that there is no floppy disk drives to Win 95 <ul style="list-style-type: none"><li>• Yes -- Report to Win 95 if there are no floppies</li><li>• No -- Do not report to Win 95 if there are no floppies</li></ul>

## BIOS Features Setup Fields

Quick Boot	+, -, <PgUp>, <PgDn>	Enables or Disables Quick Boot <ul style="list-style-type: none"> <li>• Disable</li> <li>• Enable</li> </ul> Overrides Extended Memory Test Selection and disables Boot Up Numlock Status
Extended Memory Test	+, -, <PgUp>, <PgDn>	Enable or Disable Extended Memory Test <ul style="list-style-type: none"> <li>• Disable</li> <li>• Enable</li> </ul>
ISA Plug-n-Play Support	+, -, <PgUp>, <PgDn>	Enable or Disable ISA Plug-n-Play Support <ul style="list-style-type: none"> <li>• Disable</li> <li>• Enable</li> </ul>
BIOS shadowing	+, -, <PgUp>, <PgDn>	Enable or disable copying slow ROMs to fast DRAM for the following memory areas: <ul style="list-style-type: none"> <li>• Video BIOS -- C0000 - C7FFFF</li> <li>• C8000 - CBFFF</li> <li>• CC000 - CFFFF</li> <li>• D0000 - D3FFF</li> <li>• D4000 - D7FFF</li> <li>• D8000 - DBFFF</li> <li>• DC000 - DFFFF</li> </ul>
Cyrix 6x86/MII CPUID	+, -, <PgUp>, <PgDn>	Enable or disable the CPUID instruction <ul style="list-style-type: none"> <li>• Enable -- Allow the CPUID instruction</li> <li>• Disable -- Don't allow the CPUID instruction</li> </ul>

## Chipset Features Setup

The following is a list of Chipset Features Setup fields.

### Chipset Features Setup Fields

Recovery time is the length of time, measured in CPU clocks, which the system will delay after the completion of an input/output request. This delay takes place because the CPU is operating so much faster than the I/O bus that the CPU must be delayed to allow for the completion of the I/O.		
Field	Active keys	Selections
16-bit I/O recovery (Clocks)	+, -, <PgUp>, <PgDn>	Set the recovery time for 16-bit I/O cycles. Selection is from 1 to 16 clocks. Default is 5.
8-bit I/O recovery (Clocks)	+, -, <PgUp>, <PgDn>	Set the recovery time for 8-bit I/O cycles. Selection is from 1 to 16 clocks. Default is 5.

## ***Power Management Setup Fields***

The following is a list of Power Management Setup fields.

### **Power Management Setup Fields**

<b>Field</b>	<b>Active keys</b>	<b>Selections</b>
Power management	+, -, <PgUp>, <PgDn>	Select power management mode <ul style="list-style-type: none"><li>• Disable -- Power management off</li><li>• Min Saving -- Minimum power savings, maximum performance</li><li>• Max Saving -- Maximum power savings, minimum performance</li><li>• User Defined -- User selects the power management functions to suit the application</li></ul>
Doze Mode	+, -, <PgUp>, <PgDn>	Select inactivity time delay before entering doze mode <ul style="list-style-type: none"><li>• Disable -- Doze mode off</li><li>• 1 -- 1 Second</li><li>• 2 -- 2 Seconds</li><li>• 4 -- 4 Seconds</li><li>• 8 -- 8 Seconds</li><li>• 10 -- 10 Seconds</li><li>• 12 -- 12 Seconds</li><li>• 15 -- 15 Seconds</li><li>• 16 -- 16 Seconds</li></ul>
Standby Mode	+, -, <PgUp>, <PgDn>	Select inactivity time delay before entering standby mode <ul style="list-style-type: none"><li>• Disable -- Standby mode off</li><li>• 1 -- 1 Minute</li><li>• 2 -- 2 Minutes</li><li>• 4 -- 4 Minutes</li><li>• 8 -- 8 Minutes</li><li>• 10 -- 10 Minutes</li><li>• 12 -- 12 Minutes</li><li>• 15 -- 15 Minutes</li><li>• 16 -- 16 Minutes</li><li>• 20 -- 20 Minutes</li><li>• 30 -- 30 Minutes</li><li>• 40 -- 40 Minutes</li><li>• 60 -- 60 Minutes</li></ul>

### Power Management Setup Fields

HDD Power Down	+ , - , <PgUp>, <PgDn>	Select inactivity time delay before hard disk power down <ul style="list-style-type: none"> <li>• Disable -- HDD power down off</li> <li>• 1 -- 1 Minute</li> <li>• 2 -- 2 Minutes</li> <li>• 4 -- 4 Minutes</li> <li>• 8 -- 8 Minutes</li> <li>• 10 -- 10 Minutes</li> <li>• 12 -- 12 Minutes</li> <li>• 15 -- 15 Minutes</li> <li>• 16 -- 16 Minutes</li> <li>• 20 -- 20 Minutes</li> <li>• 30 -- 30 Minutes</li> <li>• 40 -- 40 Minutes</li> <li>• 60 -- 60 Minutes</li> </ul>
Modem use IRQ	+ , - , <PgUp>, <PgDn>	Select IRQ for modem wakeup <ul style="list-style-type: none"> <li>• NA -- Not Available</li> <li>• 3 -- IRQ 3</li> <li>• 4 -- IRQ 4</li> <li>• 5 -- IRQ 5</li> <li>• 7 -- IRQ 7</li> <li>• 9 -- IRQ 9</li> <li>• 10 -- IRQ 10</li> <li>• 11 -- IRQ 11</li> </ul>
Throttle Duty Cycle	+ , - , <PgUp>, <PgDn>	Select throttle duty cycle. <ul style="list-style-type: none"> <li>• 12.5 -- 12.5% Minimum savings</li> <li>• 33.3 -- 33.3%</li> <li>• 50.0 -- 50.0%</li> <li>• 75.0 -- 75.0% Maximum savings</li> </ul>
RINGPOWER ON Controller	+ , - , <PgUp>, <PgDn>	<ul style="list-style-type: none"> <li>• Enable</li> <li>• Disable</li> </ul>
NET POWER ON Controller	+ , - , <PgUp>, <PgDn>	<ul style="list-style-type: none"> <li>• Enable</li> <li>• Disable</li> </ul>
RTC Alarm Function	+ , - , <PgUp>, <PgDn>	<ul style="list-style-type: none"> <li>• Enable</li> <li>• Disable</li> </ul>
RTCOn by Time(hh:mm)	hh:mm	<ul style="list-style-type: none"> <li>• hh:mm</li> </ul>
Soft-Off by PWR-BTTN	+ , - , <PgUp>, <PgDn>	<ul style="list-style-type: none"> <li>• Instant-OFF</li> <li>• Delay 4 Sec</li> </ul>

### Power Management Setup Fields

IRQ that will bring the CPU out of power management	+, -, <PgUp>, <PgDn>	Select IRQs that will wake the CPU out of suspend mode <ul style="list-style-type: none"><li>• IRQ 1</li><li>• IRQ 3</li><li>• IRQ 4</li><li>• IRQ 5</li><li>• IRQ 6</li><li>• IRQ 7</li><li>• IRQ 9</li><li>• IRQ 10</li><li>• IRQ 11</li><li>• IRQ 12</li><li>• IRQ 13</li><li>• IRQ 14</li><li>• IRQ 15</li></ul>
---	----------------------	--

## PNP/PCI Configuration Setup Fields

The following is a list of PNP/PCI Configuration Setup fields.

### PNP/PCI Configuration Setup Fields

Field	Active keys	Selections
PNP OS installed	+, -, <PgUp>, <PgDn>	Select if you are using a PNP aware operating system. If you select Yes the Operating System will change the I/O assignments made in the BIOS. <ul style="list-style-type: none"> <li>• Yes -- Using a PNP operating system such as Microsoft Windows 95/98/NT</li> <li>• No -- Not using a PNP operating system</li> </ul>
Resources controlled by	+, -, <PgUp>, <PgDn>	How PNP resources are controlled <ul style="list-style-type: none"> <li>• Auto -- BIOS configures the PNP devices</li> <li>• Manual -- User configures PNP devices</li> </ul>
Reset Configuration Data	+, -, <PgUp>, <PgDn>	Select Enable to clear the Extended System Configuration Data (ESCD) area. This will make the CPU search for legacy devices and store the updated info. This field will automatically return to disable after the next boot.
IRQ assigned to	+, -, <PgUp>, <PgDn>	Select whether interrupts are to be used by legacy ISA devices or PCI/PNP ISA devices. <ul style="list-style-type: none"> <li>• IRQ 3 -- PCI/ISA PNP or Legacy ISA</li> <li>• IRQ 4 -- PCI/ISA PNP or Legacy ISA</li> <li>• IRQ 5 -- PCI/ISA PNP or Legacy ISA</li> <li>• IRQ 6 -- PCI/ISA PNP or Legacy ISA</li> <li>• IRQ 7 -- PCI/ISA PNP or Legacy ISA</li> <li>• IRQ 9 -- PCI/ISA PNP or Legacy ISA</li> <li>• IRQ 10 -- PCI/ISA PNP or Legacy ISA</li> <li>• IRQ 11 -- PCI/ISA PNP or Legacy ISA</li> <li>• IRQ 12 -- PCI/ISA PNP or Legacy ISA</li> <li>• IRQ 13 -- PCI/ISA PNP or Legacy ISA</li> <li>• IRQ 14 -- PCI/ISA PNP or Legacy ISA</li> <li>• IRQ 15 -- PCI/ISA PNP or Legacy ISA</li> </ul>
PCI IRQ activated by	+, -, <PgUp>, <PgDn>	Select if PCI interrupts are level or edge sensitive.
Used memory base address	+, -, <PgUp>, <PgDn>	Select the starting address of an upper memory region to exclude from PCI/PNP usage: <ul style="list-style-type: none"> <li>• NA -- Upper memory not used by legacy ISA devices</li> <li>• C800h</li> <li>• CC00h</li> <li>• D000h</li> <li>• D400h</li> <li>• D800h</li> <li>• DC00h</li> </ul>

### PNP/PCI Configuration Setup Fields

Used memory length	+, -, <PgUp>, <PgDn>	Select the length of an upper memory region to exclude from PCI/PNP usage: <ul style="list-style-type: none"><li>• 8 KB</li><li>• 16 KB</li><li>• 32 KB</li><li>• 64 KB</li></ul>
--------------------	----------------------------	---

## ***Integrated Peripherals Setup Fields***

The following is a list of Integrated Peripherals Setup fields.

### Integrated Peripherals Setup Fields

<b>Field</b>	<b>Active keys</b>	<b>Selections</b>
IDE block mode	+, -, <PgUp>, <PgDn>	Allows the IDE controller to use fast block mode to transfer data to and from the hard disk. <ul style="list-style-type: none"> <li>• Enable -- IDE controller uses block mode</li> <li>• Disable -- IDE controller does not uses block mode</li> </ul>
Keyboard input clock	+, -, <PgUp>, <PgDn>	Select the clock to be used for the keyboard controller <ul style="list-style-type: none"> <li>• 8 -- 8 MHz - Default</li> <li>• 12 -- 12 MHz</li> <li>• 16 -- 16 MHz</li> </ul>
Onboard Serial Port 1:	+, -, <PgUp>, <PgDn>	Serial port 1, connector CN7 settings: <ul style="list-style-type: none"> <li>• Disable -- Serial port not used</li> <li>• Auto -- BIOS/OS controls operation</li> <li>• 3F8h/IRQ 4 -- Address 3F8h and interrupt 4</li> <li>• 2F8h/IRQ 3 -- Address 2F8h and interrupt 3</li> <li>• 3E8h/IRQ 4 -- Address 3E8h and interrupt 4</li> <li>• 2E8h/IRQ 3 -- Address 2E8h and interrupt 3</li> </ul>
Mode	+, -, <PgUp>, <PgDn>	Select mode for onboard serial port 1 <ul style="list-style-type: none"> <li>• RS-232 -- RS-232 driver/receiver enabled</li> <li>• RS-422/485 -- RS-422/485 driver/receiver enabled</li> </ul>
Onboard Serial Port 2:	+, -, <PgUp>, <PgDn>	Serial port 2, connector CN8settings: <ul style="list-style-type: none"> <li>• Disable -- Serial port not used</li> <li>• Auto -- BIOS/OS controls operation</li> <li>• 3F8h/IRQ 4 -- Address 3F8h and interrupt 4</li> <li>• 2F8h/IRQ 3 -- Address 2F8h and interrupt 3</li> <li>• 3E8h/IRQ 4 -- Address 3E8h and interrupt 4</li> <li>• 2E8h/IRQ 3 -- Address 2E8h and interrupt 3</li> </ul>
Mode	+, -, <PgUp>, <PgDn>	Select mode for onboard serial port 2 <ul style="list-style-type: none"> <li>• RS-232 -- RS-232 driver/receiver enabled</li> <li>• RS-422/485 -- RS-422/485 driver/receiver enabled</li> </ul>
Onboard Parallel Port	+, -, <PgUp>, <PgDn>	Selects parallel port address and interrupt <ul style="list-style-type: none"> <li>• Disable -- Parallel port not used</li> <li>• 378h/ IRQ7 -- Address 378h and interrupt 7</li> <li>• 278h/ IRQ5 -- Address 278h and interrupt 5</li> <li>• 3BCh/ IRQ7 -- Address 3BCh and interrupt 7</li> </ul>

## Integrated Peripherals Setup Fields

Parallel port mode	+, -, <PgUp>, <PgDn>	Select the mode for the parallel port <ul style="list-style-type: none"> <li>• SPP -- Standard parallel port</li> <li>• EPP 1.7 -- Extended parallel port compatible with version 1.7</li> <li>• EPP 1.9 -- Extended parallel port compatible with version 1.9</li> <li>• ECP -- Extended Capabilities port</li> <li>• EPP + ECP -- both EPP and ECP mode</li> </ul>
ECP mode use DMA	+, -, <PgUp>, <PgDn>	Select DMA for ECP mode <ul style="list-style-type: none"> <li>• 1 -- DMA channel 1</li> <li>• 3 -- DMA channel 3</li> </ul>
BIOS extension window	+, -, <PgUp>, <PgDn>	Select a 32 KB memory window for BIOS extension devices in the 32-pin SSD socket such as DiskOnChip® <ul style="list-style-type: none"> <li>• Disable -- Do not use BIOS extension device</li> <li>• C800 -- Window at C8000h - CFFFFh</li> <li>• D000 -- Window at D0000h - D7FFFh</li> <li>• D800 -- Window at D8000h - DFFFFh</li> </ul>
device in SSD Socket	+, -, <PgUp>, <PgDn>	Select a SSD device to fill the SSD socket <ul style="list-style-type: none"> <li>• None</li> <li>• RAM-128k</li> <li>• RAM-512k</li> <li>• NOVRAM-128k</li> <li>• NOVRAM-512k</li> <li>• ATMEL-128k</li> <li>• ATMEL-512k</li> <li>• FLASH-128k</li> <li>• FLASH-256k</li> <li>• FLASH-512k</li> <li>• EPROM-128k</li> <li>• EPROM-256k</li> <li>• EPROM-512k</li> <li>• EPROM-1M</li> <li>• BiosExt</li> </ul>
SSD Window	+, -, <PgUp>, <PgDn>	Sets the memory window to be used for the SSD device <ul style="list-style-type: none"> <li>• D000:0000</li> <li>• D800:0000</li> <li>• C800:0000</li> </ul>
Drive A: (except BiosExt)	+, -, <PgUp>, <PgDn>	Selects the device the CPU will consider to be A: <ul style="list-style-type: none"> <li>• Floppy</li> <li>• SSD</li> </ul>
Fail Safe Boot in SSD Win	+, -, <PgUp>, <PgDn>	Enables the non-volatile, onboard backup BIOS <ul style="list-style-type: none"> <li>• Enable</li> <li>• Disable</li> </ul>

### Integrated Peripherals Setup Fields

Select Active Video	+, -, <PgUp>, <PgDn>	Allows multiple monitors to be run from the CPU <ul style="list-style-type: none"><li>• Onboard First</li><li>• PCI First</li><li>• Integrated</li><li>• No Onboard</li></ul>
Video memory size	+, -, <PgUp>, <PgDn>	Select the amount of DRAM to allocate to video memory <ul style="list-style-type: none"><li>• 1.5 -- 1.5 MB video memory</li><li>• 2.5 -- 2.5 MB video memory</li><li>• 4.0 -- 4.0 MB video memory</li></ul>



# CHAPTER 5: USING THE CPU MODULE

This chapter provides information for users who wish to develop their own applications programs for the cpuModule.

This chapter includes information on the following topics:

- Memory map
- I/O Address map
- Interrupts
- Power On Self Tests (POSTs)
- System Functions (Watchdog Timer, Real Time Clock)
- Storing Applications in Solid State Disk
- Utility Programs

## Memory Map

The ISA portion of the cpuModule addresses memory using 24 address lines. This allows a maximum of  $2^{24}$  locations, or 16 Megabytes of memory.


The table below shows how memory in the first megabyte is allocated in the system.

First Megabyte Memory Map		
<b>FFFFFH-C0000H ROM</b>	256 KB BIOS in Flash EPROM, shadowed into DRAM during runtime.	
<b>FFFFFFH-C0000H</b>	Run time user memory space. Usually, memory between C0000H and C7FFFH is used for the BIOS of add-on VGA video cards.	
<b>BFFFFFFH-A0000H</b>	Normally used for video RAM as follows:	
	EGA/VGA Monochrome CGA	0A0000H to 0AFFFFH 0B0000H to 0B7FFFH 0B8000H to 0BFFFFH
<b>9FFFFFFH-00502H</b>	DOS reserved memory area	
<b>00501H-00400H</b>	BIOS data area	
<b>003FFH-00000H</b>	Interrupt vector area	

Memory beyond the first megabyte can be accessed in real mode, by using EMS or a similar memory manager. See your OS or programming language references for information on memory managers.

## Input/Output Address Map

As with all standard PC/104 boards, the Input/Output (I/O) space is addressed by 10 address lines (SA0-SA9). This allows  $2^{10}$  or 1024 distinct I/O addresses. Any add-on modules you install must therefore use I/O addresses in the range 0-1023 (decimal) or 000-3FF (hex).

	<p>If you add any PC/104 modules or other peripherals to the system you must ensure they <i>do not</i> use reserved addresses listed below, or mal-functions will occur. The exception to this is if the resource has been released by the user.</p>
---	--

The table below lists I/O addresses reserved for the cpuModule.

I/O Addresses Reserved for the cpuModule		
Address Range	Bytes	Device
000H-00FH	16	DMA Controller
010H-01FH	16	Reserved for CPU
020H-021H	2	Interrupt Controller #1
022H-02FH	13	Reserved
040H-043H	4	Timer
060H-064H	5	Keyboard Interface
070H-071H	2	Real Time Clock port
080H-08FH	16	DMA page register
0A0H-0A1H	2	Interrupt controller #2
0C0H-0DFH	32	DMA controller #2
0F0H-0FFH	16	Math co-processor
100H-101H	2	Video Initialization
1F0H-1FFH	16	Hard disk <sup>1</sup>
200H-201H	2	Reserved
238H-23BH	4	Bus Mouse <sup>4</sup>
2E8H-2EFH	8	Serial Port <sup>2</sup>
2F8H-2FFH	8	Serial port <sup>2</sup>
378H-37FH	8	Parallel port <sup>3</sup>
3BCH-3BFH	4	Parallel port <sup>3</sup>

3E8H-3EFH	8	Serial port <sup>2</sup>
3F0H-3F7H	8	Floppy disk <sup>1</sup>
3F8H-3FFH	8	Serial port <sup>2</sup>


<sup>1</sup> If a floppy or IDE controller is not connected to the system, the I/O addresses listed will not be occupied.

<sup>2</sup> Only one of the I/O addresses shown for a Serial port is active at any time. You can use Setup to select which one is active or to disable it entirely.

<sup>3</sup> Only one of the I/O addresses shown for the Parallel printer port is active at any time. You can use Setup to select which one is active or to disable it entirely.

<sup>4</sup> If a PS2 mouse is not connected to the system, the I/O addresses listed will not be occupied.

## Hardware Interrupts

	<p>If you add any PC/104 modules or other peripherals to the system you must ensure they <i>do not</i> use interrupts needed by the cpuModule, or malfunctions will occur</p>
---	---

The cpuModule supports the standard PC interrupts listed below. Interrupts not in use by hardware on the cpuModule itself are listed as 'available'.

Hardware Interrupts Used on the cpuModule		
Interrupt	Normal Use	Source
0	Timer 0	On-board ISA device
1	Keyboard	On-board ISA device
2	Cascade of IRQ 8-15	On-board ISA device
3	COM2	On-board ISA device
4	COM1	On-board ISA device
5	available	XT bus
6	Floppy <sup>1</sup>	XT bus
7	Printer	On-board ISA device
8	Real Time Clock	On-board ISA device
9	available, routed to IRQ <sub>2</sub>	XT bus
10	available	AT bus
11	available	AT bus
12	Bus mouse	On-board ISA device
14	primary IDE hard disk <sup>2</sup>	AT bus
15	available sometimes used as secondary IDE hard disk	AT bus

<sup>1</sup> Floppy disk interrupt, INT6, is available for use if no floppy disk is present in the system and floppy disk is disabled in Setup.

<sup>2</sup> Hard disk interrupt, INT14, is available for use if no hard disk drive is present in the system and hard disk is disabled in Setup.

## ***The RTD Enhanced Award BIOS***

The RTD Enhanced Award BIOS (Basic Input/Output System) is software that interfaces hardware-specific features of the cpuModule to an operating system (OS). Physically, the BIOS software is stored in a Flash EPROM on the cpuModule. Functions of the BIOS are divided into two parts:

The first part of the BIOS is known as POST (Power-On Self-Test) software, and it is active from the time power is applied until an OS boots (begins execution). POST software performs a series of hardware tests, sets up the machine as defined in Setup, and begins the boot of the OS;

The second part of the BIOS is known as the CORE BIOS. It is the normal interface between cpu-Module hardware and the operating system which is in control. It is active from the time the OS boots until the cpuModule is turned off. The CORE BIOS provides the system with a series of software interrupts to control various hardware devices.

The following sections discuss the sections of the BIOS in more detail and describe features of the BIOS which may be useful to you in developing applications.

## ***Power On Self Tests (POSTs)***

### POST Messages

During the Power On Self Test (POST), if the BIOS detects an error requiring you to do something to fix, it will either sound a beep code or display a message.

If a message is displayed, it will be accompanied by:

PRESS F1 TO CONTINUE, CTRL-ALT-ESC OR DEL TO ENTER SETUP

### POST Beep

Currently there are two kinds of beep codes in BIOS. This code indicates that a video error has occurred and the BIOS cannot initialize the video screen to display any additional information. This beep code consists of a single long beep followed by three short beeps. The other code indicates that your DRAM error has occurred. This beep code consists of a single long beep repeatedly.

### Error Messages

One or more of the following messages may be displayed if the BIOS detects an error during the POST. This list includes messages for both the ISA and the EISA BIOS.

#### CMOS BATTERY HAS FAILED

CMOS battery is no longer functional. It should be replaced.

#### CMOS CHECKSUM ERROR

Checksum of CMOS is incorrect. This can indicate that CMOS has become corrupt. This error may have been caused by a weak battery. Check the battery and replace if necessary.

#### DISK BOOT FAILURE, INSERT SYSTEM DISK AND PRESS ENTER

No boot device was found. This could mean that either a boot drive was not detected or the drive does not contain proper system boot files. Insert a system disk into Drive A: and press <Enter>. If you assumed the system would boot from the hard drive, make sure the controller is inserted correctly and all cables are properly attached. Also be sure the disk is formatted as a boot device. Then re-boot the system.

#### DISKETTE DRIVES OR TYPES MISMATCH ERROR - RUN SETUP

Type of diskette drive installed in the system is different from the CMOS definition. Run Setup to reconfigure the drive type correctly.

#### DISPLAY SWITCH IS SET INCORRECTLY

The display switch, on the motherboard, can be set to either monochrome or color. This indicates the switch is set to a different setting than indicated in Setup. Determine which setting is correct, and then either turn off the system and change the jumper, or enter Setup and change the VIDEO selection.

#### DISPLAY TYPE HAS CHANGED SINCE LAST BOOT

Since last powering off the system, the display adapter has been changed. You must configure the system for the new display type.

#### EISA Configuration Checksum Error

#### ERROR ENCOUNTERED INITIALIZING HARD DRIVE

Hard drive cannot be initialized. Be sure the adapter is installed correctly and all cables are correctly and firmly attached. Also be sure the correct hard drive type is selected in Setup.

#### ERROR INITIALIZING HARD DISK CONTROLLER

Cannot initialize controller. Make sure the cord is correctly and firmly installed in the bus. Be sure the correct hard drive type is selected in Setup. Also check to see if any jumper needs to be set correctly on the hard drive.

#### FLOPPY DISK CNTRLR ERROR OR NO CNTRLR PRESENT

Cannot find or initialize the floppy drive controller. Make sure the controller is installed correctly and firmly. If there are no floppy drives installed, be sure the Diskette Drive selection in Setup is set to NONE.

#### KEYBOARD ERROR OR NO KEYBOARD PRESENT

Cannot initialize the keyboard. Make sure the keyboard is attached correctly and no keys are being pressed during the boot.

If you are purposely configuring the system without a keyboard, set the error halt condition in Setup to HALT ON ALL, BUT KEYBOARD. This will cause the BIOS to ignore the missing keyboard and continue the boot.

#### Memory Address Error at...

Indicates a memory address error at a specific location. You can use this location along with the memory map for your system to find and replace the bad memory chips.

#### Memory parity Error at...

Indicates a memory parity error at a specific location. You can use this location along with the memory map for your system to find and replace the bad memory chips.

#### MEMORY SIZE HAS CHANGED SINCE LAST BOOT

Memory has been added or removed since the last boot. In EISA mode use Configuration Utility to reconfigure the memory configuration. In ISA mode enter Setup and enter the new memory size in the memory fields.

#### Memory Verify Error at...

Indicates an error verifying a value already written to memory. Use the location along with your system's memory map to locate the bad chip.

#### OFFENDING ADDRESS NOT FOUND

This message is used in conjunction with the I/O CHANNEL CHECK and RAM PARITY ERROR messages when the segment that has caused the problem cannot be isolated.

#### OFFENDING SEGMENT:

This message is used in conjunction with the I/O CHANNEL CHECK and RAM PARITY ERROR messages when the segment that has caused the problem has been isolated.

#### PRESS A KEY TO REBOOT

This will be displayed at the bottom screen when an error occurs that requires you to reboot. Press any key and the system will reboot.

#### PRESS F1 TO DISABLE NMI, F2 TO REBOOT

When BIOS detects a Non-maskable Interrupt condition during boot, this will allow you to disable the NMI and continue to boot, or you can reboot the system with the NMI enabled.

#### RAM PARITY ERROR - CHECKING FOR SEGMENT...

Indicates a parity error in Random Access Memory.

#### SYSTEM HALTED, (CTRL-ALT-DEL) TO REBOOT...

Indicates the present boot attempt has been aborted and the system must be rebooted. Press and hold down the CTRL and ALT keys and press DEL.

FLOPPY DISK(S) fail (80) Æ Unable to reset floppy subsystem.  
 FLOPPY DISK(S) fail (40) Æ Floppy Type mismatch.  
 Hard Disk(s) fail (80) Æ HDD reset failed  
 Hard Disk(s) fail (40) Æ HDD controller diagnostics failed.  
 Hard Disk(s) fail (20) Æ HDD initialization error.  
 Hard Disk(s) fail (10) Æ Unable to calibrate fixed disk.  
 Hard Disk(s) fail (08) Æ Sector Verify failed.

Keyboard error or no keyboard present.

Cannot initialize the keyboard. Make sure the keyboard is attached correctly and no keys are being pressed during the boot.

Manufacturing POST loop.

BIOS ROM checksum error - System halted.

The checksum of ROM address F0000H-FFFFFFH is bad.

Memory test fail.

BIOS reports the memory test fail if the onboard memory is tested error.

## ***RTD Enhanced Award BIOS POST Codes***

POST (hex)	Description
01	Clear base memory 0~640K
02	Reserved
03	Initialize EISA registers (EISA BIOS only)
04	Reserved
05	1. Keyboard Controller Self-Test 2. Enable Keyboard Interface
06	Reserved
07	Verifies CMOS's basic R/W functionality
09	1. Program the configuration register of Cyrix CPU according to the MODBINable Cyrix Register Table 2. OEM specific cache initialization (if needed)

## RTD Enhanced Award BIOS POST Codes

0A	<ol style="list-style-type: none"> <li>1. Initialize the first 32 interrupt vectors with corresponding Interrupt handlers Initialize INT no from 33-120 with Dummy(Spurious) Interrupt Handler</li> <li>2. Issue CPUID instruction to identify CPU type</li> <li>3. Early Power Management initialization (OEM specific)</li> </ol>
0B	<ol style="list-style-type: none"> <li>1. Verify the RTC time is valid or not</li> <li>2. Detect bad battery</li> <li>3. Read CMOS data into BIOS stack area</li> <li>4. PnP initialization including (PnP BIOS only) <ul style="list-style-type: none"> <li>-Assign CSN to PnP ISA card</li> <li>-Create resource map from ESCD</li> </ul> </li> <li>5. Assign IO &amp; Memory for PCI devices (PCI BIOS only)</li> </ol>
0C	Initialization of the BIOS Data Area (40: 00 - 40:FF)
0D	<ol style="list-style-type: none"> <li>1. Program some of the Chipset's value according to Setup. (Early Setup Value Program)</li> <li>2. Measure CPU speed for display &amp; decide the system clock speed</li> <li>3. Video initialization including Monochrome, CGA, EGA/VGA. If no display device found, the speaker will beep which consists of one single long beep followed by two short beeps.</li> </ol>
0E	<ol style="list-style-type: none"> <li>1. Initialize the APIC (Multi-Processor BIOS only)</li> <li>2. Test video RAM (If Monochrome display device found)</li> <li>3. Show messages including:-Award Logo, Copyright string, BIOS Date code &amp; Part No. <ul style="list-style-type: none"> <li>-OEM specific sign on messages</li> <li>-Energy Star Logo (Green BIOS ONLY)-CPU brand, type &amp; speed</li> <li>-Test system BIOS checksum (Non-Compress Version only)</li> </ul> </li> </ol>
0F	DMA channel 0 test
10	DMA channel 1 test
11	DMA page registers test
12-13	Reserved
14	Test 8254 Timer 0 Counter 2.
15	Test 8259 interrupt mask bits for channel 1
16	Test 8259 interrupt mask bits for channel 2
17	Reserved
19	Test 8259 functionality
30	Detect Base Memory & Extended Memory Size
31	<ol style="list-style-type: none"> <li>1. Test Base Memory from 256K to 640K</li> <li>2. Test Extended Memory from 1M to the top of memory</li> </ol>
32	<ol style="list-style-type: none"> <li>1. Display the Award Plug &amp; Play BIOS Extension message (PnP BIOS only)</li> <li>2. Program all onboard super I/O chips (if any) including COM ports, LPT ports, FDD port according to setup value</li> </ol>
41	Initialize floppy disk drive controller
42	Initialize Hard drive controller

## RTD Enhanced Award BIOS POST Codes

43	If it is a PnP BIOS, initialize serial & parallel ports
44	Reserved
45	Initialize math coprocessor.
50	Write all CMOS values currently in the BIOS stack area back into the CMOS
51	Reserved
52	<ol style="list-style-type: none"> <li>1. Initialize all ISA ROMs</li> <li>2. Later PCI initialization (PCI BIOS only)-assign IRQ to PCI devices-initialize all PCI ROMs</li> <li>3. PnP Initialization (PnP BIOS only) <ul style="list-style-type: none"> <li>-assign IO, Memory, IRQ &amp; DMA to PnP ISA devices</li> <li>-initialize all PnP ISA ROMs</li> </ul> </li> <li>4. Program shadows RAM according to Setup settings</li> <li>5. Program parity according to Setup setting</li> <li>6. Power Management Initialization-Enable/Disable global PM-APM interface initialization</li> </ol>
53	<ol style="list-style-type: none"> <li>1. If it is NOT a PnP BIOS, initialize serial &amp; parallel ports</li> <li>2. Initialize time value in BIOS data area by translate the RTC time value into a timer tick value</li> </ol>
60	Setup Virus Protection (Boot Sector Protection) functionality according to Setup setting
1A-1D	Reserved
1E	If EISA NVM checksum is good, execute EISA initialization (EISA BIOS only)
1F-29	Reserved
33-3B	Reserved
3C	Set flag to allow users to enter CMOS Setup Utility
3D	<ol style="list-style-type: none"> <li>1. Initialize Keyboard</li> <li>2. Install PS2 mouse</li> </ol>
3E	<p>Try to turn on Level 2 cache</p> <p>Note: Some chipset may need to turn on the L2 cache in this stage. But usually, the cache is turn on later in POST 61h</p>
41H	Enable FDD and detect media type
46-4D	Reserved
4E	If there is any error detected (such as video, kb...), show all the error messages on the screen & wait for user to press <F1> key
4F	<ol style="list-style-type: none"> <li>1. If password is needed, ask for password</li> <li>2. Clear the Energy Star Logo (Green BIOS only)</li> </ol>
BE	Program defaults values into chipset according to the MODBINable Chipset Default Table

## ***RTD Enhanced Award BIOS POST Codes***

BF	<ol style="list-style-type: none"><li>1. Program the rest of the Chipset's value according to Setup. (Later Setup Value Program)</li><li>2. If auto-configuration is enabled, programmed the chipset with pre-defined values in the MODBINable Auto-Table</li></ol>
C0	<ol style="list-style-type: none"><li>1. Turn off OEM specific cache, shadow...</li><li>2. Initialize all the standard devices with default values standard devices includes:<ul style="list-style-type: none"><li>-DMA controller (8237)</li><li>-Programmable Interrupt Controller (8259)</li><li>-Programmable Interval Timer (8254)</li><li>-RTC chip</li></ul></li></ol>
C1	Auto-detection of onboard DRAM & Cache
C3	<ol style="list-style-type: none"><li>1. Test system BIOS checksum</li><li>2. Test the first 256K DRAM</li><li>3. Expand the compressed codes into temporary DRAM area including the compressed System BIOS &amp; Option ROMs</li></ol>
C5	Copy the BIOS from ROM into E0000-FFFFF shadow RAM so that POST will go faster
FFH	System Booting INT 19

## Default Configuration

In addition to the Setup configuration stored on the board, the cpuModule has a permanent default configuration. The system will resort to using this default if an error occurs when accessing the EPROM which holds the Setup on the module.

The default configuration is listed below.

BIOS Default Configuration	
Function	Default selection
IDE Interface 0 Master	Auto detect
IDE Interface 0 Slave	Auto detect
IDE Interface 1 Master	Auto detect
IDE Interface 1 Slave	Auto detect
Boot device	Floppy then hard disk
BIOS Extension	Disabled
Floppy Drive 1	3.5" 1.44 Meg
Floppy Drive 2	not installed
Serial port 1	RS232 at 3F8H
Serial port 2	RS232 at 2F8H
Parallel Port	LPT1 at 378H
Keyboard	Enabled if connected
Video Resolution	High
Fail safe boot rom	Enabled
Select Active Video	Integrated
Power Management	Disabled
PNP OS Installed	No
Resources Controlled By	Auto
PCI IRQ Activated By	Level
IDE HDD Block Mode	Enabled
KBC Input Clock	8 Mhz
SSD Window	D800:0000
Onboard Parallel Port	378/IRQ7
Parallel Port Mode	SPP
Halt On	No Errors
Virus Warning	Disabled
CPU Internal Cache	Enabled
Cyrix 6X86/MII CUID	Enabled
Swap Floppy Drive	Disabled
Boot Up Numlock Status	Off
Gate A20 Option	Fast
Security Option	Setup
Report No FDD for WIN95	Yes
Quick Boot	Disabled
Extended Memory Test	Disabled

ISA Plug-n-Play Support	Enabled
Video Bios Shadow	Enabled
C8000-DFFFF	Disabled
16-bit I/O Recovery (Clock)	5
8-bit I/O Recovery (Clock)	5

## **Bypassing the Stored Configuration**

Under certain circumstances, you may want to bypass the configuration stored on the board. To do this press the {Del} key to enter Setup and then you can then reconfigure the cpuModule correctly.

## ***Direct Hardware Control***

Some of the cpuModule hardware is controlled directly without using BIOS routines. These include:

- Watchdog Timer
- Real Time Clock Control
- Parallel Port Control

The following sections describe use of these features.

## Watchdog Timer Control

The cpuModule includes a Watchdog Timer, which provides protection against programs "hanging", or getting stuck in an execution loop where they cannot respond correctly. When enabled, the Watchdog Timer must be periodically reset by your application program. If it is not reset before the time-out period of 1.2 seconds expires, it will cause a hardware reset of the cpuModule.

Three functions have been implemented on the cpuModule for Watchdog Timer control. These are:

- Watchdog Timer enable
- Watchdog Timer disable
- Watchdog Timer reset

To enable the watchdog timer you must write a 1 to Bit 0 of I/O register 1Eh. To ensure compatibility with future designs, you should read the register and only change the bit you need to change.

After you enable the watchdog timer, you must reset it at least once every 1.2 seconds by reading I/O 1Eh. The data read does not matter.

To disable the watchdog timer you must write a 0 to Bit 0 of I/O register 1Eh.

Enabling the watchdog timer is illustrated in the following QuickBasic program fragment:

```
temp = INP(&H1E)      'Read I/O port 1Eh
temp = temp OR 1      'Set LSB to 1
OUTPUT &H1E, temp     'Enable WDT
```

When the watchdog timer is enabled it must be refreshed before it times out or it hardware reset the system. Refreshing the watchdog timer is illustrated in the following QuickBasic program fragment:

```
temp = INP(&H1E)      'Read I/O port 1Eh to refresh the WDT
```


Disabling the watchdog timer is illustrated in the following QuickBasic program fragment:

```
temp = INP(&H1E)      'Read I/O port 1Eh
temp = temp AND &HFE  'Clear LSB to 0
OUTPUT &H1E, temp     'Disable WDT
```

## Real Time Clock Control

The cpuModule is equipped with a Real Time Clock (RTC) which provides system date and time functions, and also provides 128 non-volatile memory locations. The contents of these memory locations are retained whenever an external backup battery is connected, whether or not system power is connected.

You may access the RTC date, time, and memory using an index and data register at I/O addresses 70h and 71h. Address 70h is the Index register. It must be written with the number of the register to read or write. Refer to the map below for valid choices for the index. Data is then written to or read from the selected register by writing or reading (respectively) the data register at address 71h.

	Do <i>not</i> change values stored in the RTC registers listed as RESERVED in the table below. Doing so will interfere with proper cpuModule operation.
---	---

Registers of the Real Time Clock are shown below:.

Real Time Clock Registers			
Registers (hex)	Registers (decimal)	Number of Bytes	Function
00h	0	1	BCD Seconds
02h	2	1	BCD Minutes
04h	4	1	BCD Hours
06h	6	1	Day of week
07h	7	1	Day of month
08h	8	1	Month
09h	9	1	Year
0A-31h	10-49	40	<b>RESERVED- Do not modify!</b>
32h	50	1	BCD Century
33-3Fh	51-63	13	<b>RESERVED - Do not modify!</b>
40-7Fh	64-127	64	User RAM

RTC access is illustrated in the following QuickBasic program fragment:

Reference APP note ANC114 at <http://www.rtd.com/appnote/ANC114.pdf>

## ***Parallel Port Control***

The parallel port may be operated in SPP (output-only), EPP (bi-directional), and ECP (extended capabilities) modes. The mode may be selected in Setup, or by application software.

## ***Processor Clock Control***

The processor clock is controller by solder jumpers on the board. These are set at the factory and should not be adjusted.

Please see *Power Consumption* for a listing of Power Consumption.

## ***Storing Applications On-board***

The cpuModule was designed to be used in embedded computing applications. In these applications, magnetic media like hard disks and floppy disks are not very desirable. It is better to eliminate magnetic storage devices and place your operating system and application software into the cpuModule's Solid State Disk (SSD).

The following section describes two distinctly different ways you may use the Solid State Disk sockets of the cpuModule. These methods allows you to use a wide variety of memory devices to implement on-board Solid State Disk storage, each with its advantages and disadvantages.

## ***Ways to Use the Solid State Disk Socket***

The ways to utilize the Solid State Disk socket of the cpuModule.

- Using a device which installs as a BIOS Extension
- Using Conventional SSD Memory

BIOS Extension Devices such as DiskOnChip® and PromDisk provide a relatively large amount of read/write disk space. These devices generally appear similar to a conventional hard disk to DOS, allowing you to copy, delete, and rename files without using any special utilities.

Conventional Solid State Disk can use a variety of memory devices, such as:

- Atmel 5 volt only Flash
- Intel 12 volt Flash
- AMD 5-volt Flash
- Static RAM
- NOVRAM
- EPROM

to create a Solid State Disk. When used with Atmel 5 volt Flash, SRAM, or NOVRAM, the SSD appears similar to a read/write floppy disk to DOS, allowing you to copy, delete, and rename files in the SSD without using any special utilities.

When used with other Flash or EPROM, you can create file to program the device with the RIMAGE program.

These methods are described in detail in the following sections.



## Using BIOS Extension Devices

You can use BIOS Extension Devices like M-Systems DiskOnChip® and MCSI PromDisk to implement a Solid State Disk which can be read and written using normal disk commands.

Advantages of using these devices include:

- Storage capacity up to 1 GB per socket (more in the future)
- Full read/write capability using standard OS file commands
- Integrated support for other operating systems is possible (contact M-Systems for information)

Parts supported by the cpuModule include:

- M-Systems 2000 series: MD2203-D1024 (1 GB)  
down to...16 MB
- Optional alternate operating system versions of the above parts
- MCSI PromDisk: 72300 (4MB)
- MCSI PromDisk: 72301 (8MB)

Our website at [www.rtd.com](http://www.rtd.com) provides links to the websites of these manufacturers.

## Installing BIOS Extension Devices

To install these devices, follow this procedure:

- Apply power to the cpuModule and run Setup.
- Set A BIOS Extension Window on the advanced setup page. .

<b>NOTE!</b>	The memory window selected for a BIOS extension device must not be used by any other program or hardware device. Make sure this window is not used by EMM386 or another memory manager, Ethernet card, PCMCIA card, etc.
--------------	--

- Save your changes and exit Setup.
- Turn off the cpuModule.
- Install the BIOS Extension Device into the socket.
- Reboot the cpuModule. The BIOS Extension Device should appear as the next available hard drive in your system. If there is no other hard drive installed, it will appear as drive C:.
- Format the new drive using the DOS format command.

<b>NOTE!</b>	If you wish to make the drive bootable, you must format it using the /s switch of the format command. Refer to your OS manual for more information.
--------------	---

- If you wish to boot from the BIOS Extension Device, run Setup and disable any other hard drive. Set the boot device to Hard Drive. The cpuModule will not boot to a BIOS Extension Device if another hard drive is enabled.

## Using Conventional Solid State Devices

You can use numerous memory types to implement a Conventional Solid State Disk. Depending on the devices used, you may implement read/write, read-only, or write-once-read-many type drives.

Advantages of using the Conventional SSD include:

- Storage capacity up to 1 MB (EPROM only)
- Atmel Flash and NovRAM allow read/write capability using standard DOS file commands

Disadvantages of using the Conventional SSD include:

- Requires external utility program and device programmer to program 12 volt Flash, AMD 5-volt Flash, or EPROM.
- Limited memory size.

The following memory devices or their equivalents may be used for a Conventional SSD. Access times for all devices must be 150 ns or less, and all devices *must* be in 32-pin DIP packages.

- Atmel 29C010A, 29C020A or 29C040A
- +12 V Flash 28F010, 28F020
- +5 V Flash 29F010, 29F040
- SRAM 128Kx8, 512Kx8
- NOVRAM (Dallas Semiconductor DS1645Y, DS1650Y)
- EPROM (27C010, 27C020, 27C040, 27C080)

### Installing a Conventional SSD using Atmel 5-volt-only Flash

To install an SSD using Atmel Flash, follow this procedure:

- Apply power to the cpuModule and run Setup.
- Set **SSD socket 1** to the appropriate Atmel device type.
- Set **SSD Window** to a value which will not conflict with other hardware or software.

---

**NOTE!** The memory window selected for DOC must not be used by any other program or hardware device. Make sure this window is not in use by EMM386 or another memory manager, or an Ethernet card, PCMCIA card, etc.

---

- Save your changes and exit Setup.
- Turn off the cpuModule.
- Install the memory device into the socket.
- Reboot the cpuModule. The SSD should appear as the next available drive in your system.
- Format the SSD using the DOS format command.

---

**NOTE!** If you wish to make the SSD bootable, you must format it using the /s switch of the format command. Refer to your DOS manual for more information on format.

When using the MS-DOS format command, always specify a size parameter. Use a size larger than the installed SSD, e.g.

format /f:1.44M (for 2 x 512K Atmel Flash devices)

---

- If you wish to boot from the SSD make it diskette A.

### ***Installing a Conventional SSD using SRAM or NOVRAM***

When the Solid State Disk is composed of SRAM or NOVRAM, it appears as a read/write disk and may be read and written using normal DOS disk commands.

To install an SRAM or NOVRAM SSD, you should follow this procedure:

- Apply power to the cpuModule and run Setup.
- Set **SSD socket 1 or 2** to the appropriate SRAM or NOVRAM device type.
- Set **SSD Window** to a value which will not conflict with other hardware or software.

---

**NOTE!** The memory window selected for DOC must not be used by any other program or hardware device. Make sure this window is not in use by EMM386 or another memory manager, or an Ethernet card, PCMCIA card, etc.

---

- Save your changes and exit Setup.
- Turn off the cpuModule.
- Install the memory device into the cpuModule socket.
- Reboot the cpuModule. The SSD should appear as the next available drive in your system.
- Format the SSD using the DOS format command.

If you wish to make the SSD bootable, you must format it using the /s switch of the format command. Refer to your DOS manual for more information on the format command.

If you wish to boot from the SSD make it diskette A.

### **Notes on Formatting an SRAM or NOVRAM SSD**

For most purposes, you can format the SRAM or NOVRAM SSD as you would a 1.44MB floppy, using a command line similar to:

for example *format b: /u*

To get the most possible space in the disk and ensure proper operation, use the format command with a size parameter just over the total size of the installed SSD memory. For example, if you install 256 Kbytes of SRAM, you should use format with the parameters for a 360 Kbyte floppy disk. For example:

ROM-DOS™:*format b: /u /n:9 /t:40*

MS-DOS:*format b: /f:360K*

See your DOS manual for details on the format command and its parameters.

### ***Installing a Conventional SSD using EPROM or Flash other than Atmel***

EPROMs or Flash EPROMs for an SSD must be programmed externally to the cpuModule, using an EPROM programmer and following the procedure below.

To install an EPROM SSD, you should follow this procedure:

- Apply power to the cpuModule and run Setup.
- Set **SSD socket 1 or 2** to the appropriate EPROM or Flash type.
- Set **SSD Window** to a value which will not conflict with other hardware or software.

---

**NOTE!** The memory window selected for DOC must not be used by any other program or hardware device. Make sure this window is not in use by EMM386 or another memory manager, or an Ethernet card, PCMCIA card, etc.

---

- Save your changes and exit Setup.
- Boot the cpuModule.

After booting, the Solid State Disk will be seen by the system as a write-protected floppy. DOS commands normally used to read floppy disks will work with the SSD.

### ***Directly Accessing the Solid State Disk***

If you wish to directly access the Solid State Disk of the cpuModule contact the factory for additional information on doing so.



# CHAPTER 6: HARDWARE REFERENCE

This appendix gives information on the cpuModule hardware, including:

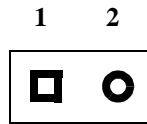
- jumper settings and locations
- solder jumper settings and locations
- mechanical dimensions
- processor thermal management

# Jumpers

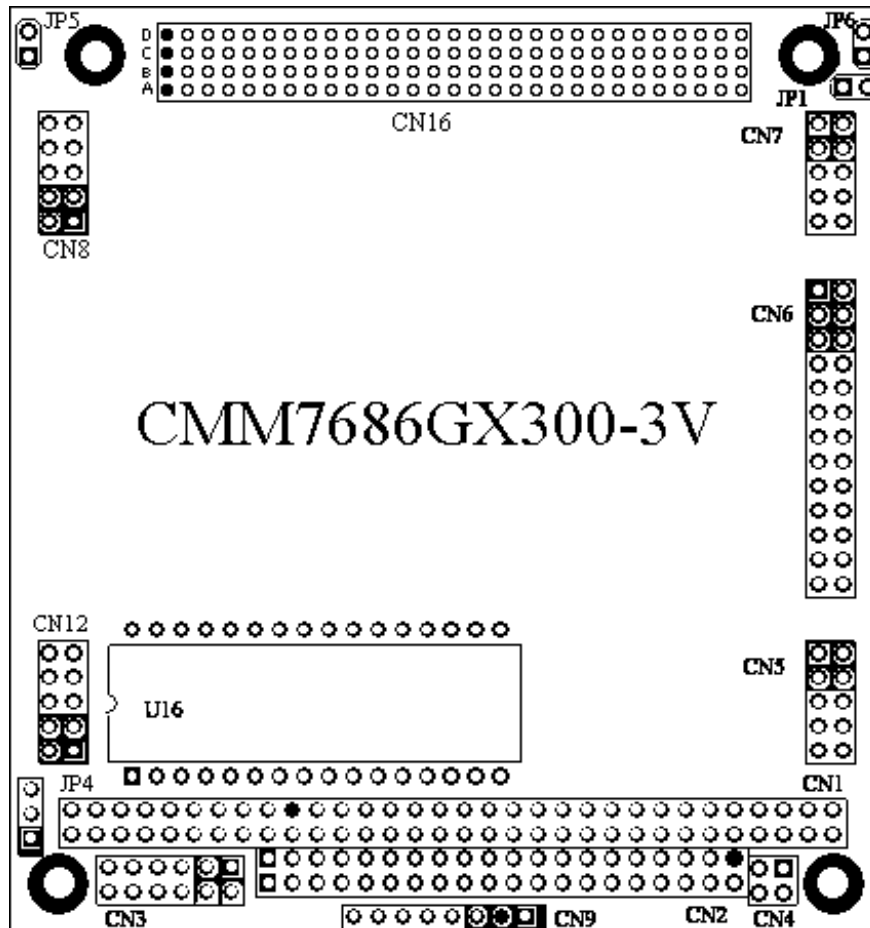
Many cpuModule options are configured by positioning jumpers. Jumpers are labeled on the board as “JP” followed by a number.

Some jumpers are two-pin, allowing two settings:

- pins 1 and 2 connected (indicated as "closed")
- pins 1 and 2 un-connected (indicated as "open")



## CMM7686GX300-3V





## ***Jumpers and Default Jumper Settings***

JP1	2-pin jumper Used to enable/disable 120 ohm termination resistor on first serial port for RS-422/485 mode. default: Open (no termination)
JP2	2-pin jumper Used to enable/disable 120 ohm termination resistor on first serial port for RS-422/485 mode. default: Open (no termination)
JP4	3-pin jumper Used to select power for an SSD socket. 1 to 2 is 5 Volts on board. 2 to 3 is 5 volts on board when power on and battery backup when power off default: Positions 1 and 2.
JP5	2-pin jumper Used for restoring factory default settings default: Open
JP6	2-pin jumper Factory use only; do not close. default: Open
BL1	3 position solder blob. default: 1 and 2 shorted
BL3	3 position solder blob. default: 1 and 2 shorted

## ***Solder Jumpers***

Solder jumpers are set at the factory and are rarely changed. Solder jumpers are located on the module's solder side and component side

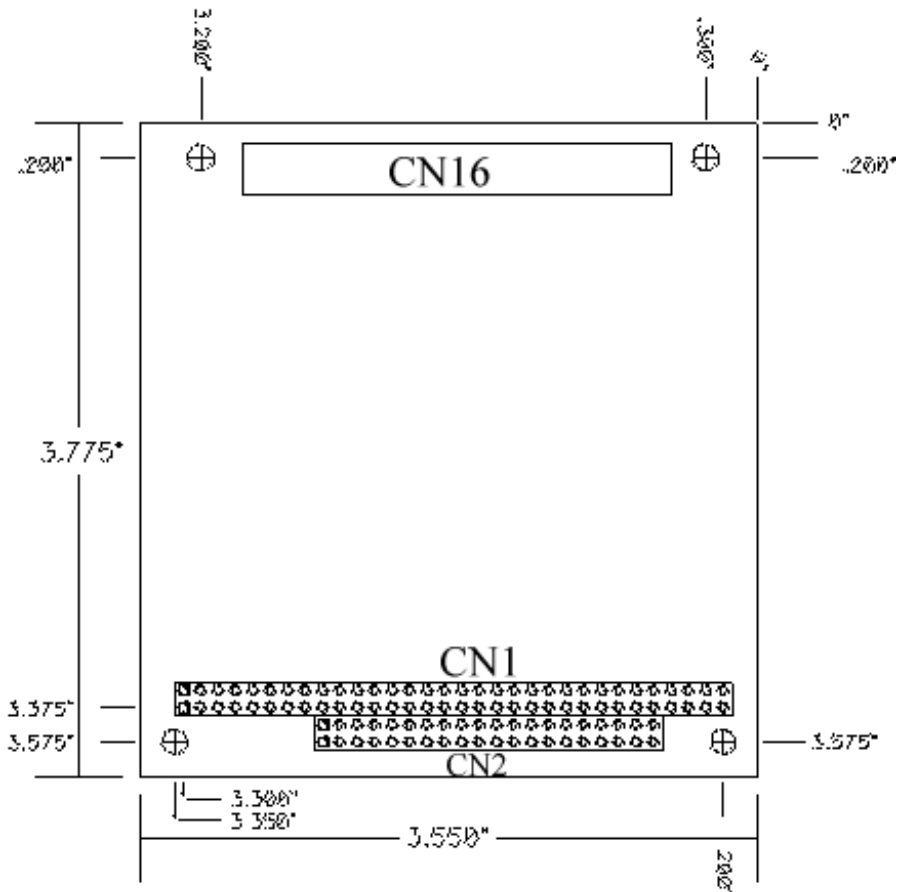
▪

..

.

## Mechanical Dimensions

The following figure shows mechanical dimensions of the module (in inches)



**CMM7686GX300-3V Mechanical Dimensions (+/- 0.005")**

## 686GX Processor Thermal Management

The industrial grade processor IC of the cpuModule must receive adequate cooling to ensure proper operation and good reliability. The case temperature of the processor must not exceed +85°C. The processor is therefore supplied with an attached fan or heatsink with a thermal resistance of 5° C/W.

NOTE!	This cpuModule is <i>not</i> warranted against damage caused by overheating due to improper or insufficient heatsinking or airflow.
-------	---

The table below shows the maximum ambient temperature allowed vs.  $\theta_{CA}$ .

<b>CMM7686GX300-3V</b>	300 MHz	17	16	15	13	12
------------------------	---------	----	----	----	----	----



# CHAPTER 7: TROUBLESHOOTING

Many problems you may encounter with operation of your cpuModule are due to common errors. This chapter will help you get your system operating properly.

It contains:

- Common problems and solutions
- Troubleshooting a PC/104 system
- How to obtain technical support
- How to return a product

## Common Problems and Solutions

The following table lists some of the common problems you may encounter while using your cpuModule, and suggests possible solutions.

If you are having problems with your cpuModule, please review this table *before* contacting technical support.

Problem	Cause	Solution
cpuModule "will not boot"	no power or wrong polarity	check for correct power on PC/104 bus connectors
	incorrect Setup (video disabled, etc.)	reboot and press {Del} key to run Setup
	defective or mis-connected device on bus	check for misaligned bus connectors; remove other cards from stack
	cable connected backwards	verify all cables are connected correctly
	SSD installed backwards	check for an SSD memory installed in socket backwards
will not boot from particular drive or device	device not bootable	use sys command on drive or re-format the device using the /s switch
	device not formatted	format drive using /s switch
	power not connected to boot drive	connect power cable to floppy or hard drive
Atmel Flash shows disk space available, but it cannot be written	part smaller than 1.44MB was formatted as 1.44MB; it will show space available even when full	ignore "disk space remaining" messages from DOS REMEMBER! A bootable disk contains 3 hidden files plus format info, totalling about 150kB
will not boot from DiskOnChip®	DiskOnChip® is not the only hard drive in system	disable other hard drive(s) in system
	using wrong DiskOnChip® device (not 32 pin)	change to correct (32 pin) DiskOnChip®
	Boot device not set to Hard disk	run Setup and set boot device to Hard Drive

erratic operation	excessive bus loading	reduce number of PC/104 modules in stack; remove termination components from bus signals; remove any power supply bus terminations
	power supply noise	examine power supply output with oscilloscope; glitches below 4.75Vdc will trigger a reset; add bypass caps
	power supply limiting	examine power supply output with oscilloscope; check for voltage drop below 4.75V when hard drive or floppy drive starts; add bypass caps
	temperature too high	add fan, processor heatsink, or other cooling device(s)  <i>See 686GX Processor Thermal Management.</i>
	memory address conflict	check for two hardware devices (e.g. Ethernet, SSD, Arcnet, PCMCIA) trying to use the same memory address  check for two software devices (e.g. EMM386, PCMCIA drivers, etc.) trying to use the same memory addresses  check for hardware and software devices trying to use the same memory address  check for an address range shadowed (see Advanced Setup screen) while in use by another hardware or software device
	I/O address conflict	check for another module trying to use I/O addresses reserved for the cpuModule between 010h and 01Fh  check for two modules (e.g. dataModules, PCMCIA cards, Ethernet) trying to use the same I/O addresses
keyboard does not work	keyboard interface damaged by misconnection	check if keyboard LEDs light
	wrong keyboard type	verify keyboard is an 'AT' type or switch to 'AT' mode
Windows 3.1x installation program hangs	smartdrive enabled	remove smartdrive command from config.sys, reboot, run install program
floppy drive light always on	cable misconnected	check for floppy drive cable connected backwards

two hard drives will not work, but one does	both drives configured for master	set one drive for master and the other for slave operation (consult drive documentation)
floppy does not work	"data error" due to drive upside down	orient drive properly (upright or on its side)
will not boot when video card is removed	illegal calls to video controller	look for software trying to access non-existent video controller for video, sound, or beep commands
won't boot from PCMCIA hard drive	booting from PCMCIA is not supported	boot from SSD, use autoexec.bat to load PCMCIA drivers, run application from PCMCIA card
COM port will not work in RS422 or RS485 modes	not configured for RS422/485	correctly configure serial port in Setup program
COM port will not transmit in RS422 or RS485 mode	not enabling transmitters	control RTS* bit of Modem Control Register to enable transmitters; see Serial Port descriptions
date and time not saved when power is off	no backup battery	connect a backup battery to the Multifunction connector
cannot enter bios	quick boot enabled with no hard drives	install JP5, reboot, and run qboot.exe and reboot.
Bad video in Windows after loading GEODE video Drivers	Video memory setting too low	go into the Bios setup and set video memory to 4.0 MB

## ***Troubleshooting a PC/104 System***

If you have reviewed the preceding table and still cannot isolate the problem with your cpuModule, please try the following troubleshooting steps. Even if the resulting information does not help you find the problem, it will be very helpful if you contact technical support.

**Simplify the system.** Remove items one at a time and see if one particular item seems to cause the problem.

**Swap components.** Try replacing items in the system one-at-a-time with similar items.

## ***How to Obtain Technical Support***

If after following the above steps, you still cannot resolve a problem with your cpuModule, please assemble the following information:

- cpuModule **model**, **BIOS version**, and serial number
- list of **all boards in system**
- list of settings from cpuModule Setup program
- printout of autoexec.bat and config.sys files (if applicable)
- description of problem
- circumstances under which problem occurs

Then contact factory technical support:

Phone: 814 234-8087

Fax: 814 234-5218

E-mail: [techsupport@rtd.com](mailto:techsupport@rtd.com)

## How to Return a Product

<b>NOTE!</b>	You <i>must</i> have authorization from the factory in the form of an RMA# before returning <i>any</i> item for <i>any</i> reason!
--------------	--

If you wish to return a product to the factory for service, please follow this procedure:

- 1) Read the Limited Warranty to familiarize yourself with our warranty policy.
- 2) Contact the factory for a Return Merchandise Authorization (RMA) number.
- 3) **Write a detailed description** of the situation or problem.  
Include as much information as possible!
- 4) **List the name of a contact person**, familiar with technical details of the problem or situation, **along with their phone and fax numbers, address, and e-mail address** (if available).
- 5) **List your shipping address!!**
- 6) Indicate the shipping method you would like used to return the product to you.  
*We will not ship by next-day service without your pre-approval.*
- 7) Carefully package the product, *using proper anti-static packaging.*
- 8) Write the RMA number in large (1") letters on the outside of the package.
- 9) Return the package to:

RTD Embedded Technologies, Inc.  
103 Innovation Blvd.  
State College PA 16803-0906  
USA



## CHAPTER 8: LIMITED WARRANTY

RTD Embedded Technologies, Inc. warrants the hardware and software products it manufactures and produces to be free from defects in materials and workmanship for one year following the date of shipment from RTD Embedded Technologies, INC. This warranty is limited to the original purchaser of product and is not transferable.

During the one year warranty period, RTD Embedded Technologies will repair or replace, at its option, any defective products or parts at no additional charge, provided that the product is returned, shipping prepaid, to RTD Embedded Technologies. All replaced parts and products become the property of RTD Embedded Technologies. Before returning any product for repair, customers are required to contact the factory for an RMA number.

THIS LIMITED WARRANTY DOES NOT EXTEND TO ANY PRODUCTS WHICH HAVE BEEN DAMAGED AS A RESULT OF ACCIDENT, MISUSE, ABUSE (such as: use of incorrect input voltages, improper or insufficient ventilation, failure to follow the operating instructions that are provided by RTD Embedded Technologies, "acts of God" or other contingencies beyond the control of RTD Embedded Technologies), OR AS A RESULT OF SERVICE OR MODIFICATION BY ANYONE OTHER THAN RTD Embedded Technologies. EXCEPT AS EXPRESSLY SET FORTH ABOVE, NO OTHER WARRANTIES ARE EXPRESSED OR IMPLIED, INCLUDING, BUT NOT LIMITED TO, ANY IMPLIED WARRANTIES OF MERCHANTABILITY AND FITNESS FOR A PARTICULAR PURPOSE, AND RTD Embedded Technologies EXPRESSLY DISCLAIMS ALL WARRANTIES NOT STATED HEREIN. ALL IMPLIED WARRANTIES, INCLUDING IMPLIED WARRANTIES FOR MERCHANTABILITY AND FITNESS FOR A PARTICULAR PURPOSE, ARE LIMITED TO THE DURATION OF THIS WARRANTY. IN THE EVENT THE PRODUCT IS NOT FREE FROM DEFECTS AS WARRANTED ABOVE, THE PURCHASER'S SOLE REMEDY SHALL BE REPAIR OR REPLACEMENT AS PROVIDED ABOVE. UNDER NO CIRCUMSTANCES WILL RTD Embedded Technologies BE LIABLE TO THE PURCHASER OR ANY USER FOR ANY DAMAGES, INCLUDING ANY INCIDENTAL OR CONSEQUENTIAL DAMAGES, EXPENSES, LOST PROFITS, LOST SAVINGS, OR OTHER DAMAGES ARISING OUT OF THE USE OR INABILITY TO USE THE PRODUCT.

SOME STATES DO NOT ALLOW THE EXCLUSION OR LIMITATION OF INCIDENTAL OR CONSEQUENTIAL DAMAGES FOR CONSUMER PRODUCTS, AND SOME STATES DO NOT ALLOW LIMITATIONS ON HOW LONG AN IMPLIED WARRANTY LASTS, SO THE ABOVE LIMITATIONS OR EXCLUSIONS MAY NOT APPLY TO YOU.

THIS WARRANTY GIVES YOU SPECIFIC LEGAL RIGHTS, AND YOU MAY ALSO HAVE OTHER RIGHTS WHICH VARY FROM STATE TO STATE.

RTD Embedded Technologies, Inc.  
103 Innovation Blvd.  
State College PA 16803-0906  
USA  
Our website: [www.rtd.com](http://www.rtd.com)